

PRODUCT SHEET

6.1.1.4 BUTTERFLY VALVE - RANGE EVCS DN 50 - 300 (2" - 12")

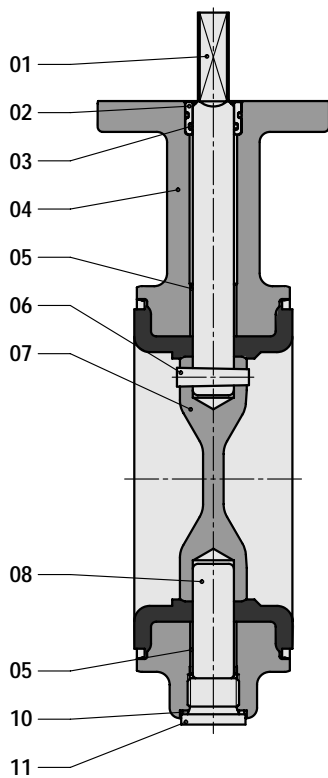
General specification, construction details, parts list and dimensions

General Specification:

Body type	Flangeless wafer short type with alignment lugs, centric, rubberlined
Valve function*	Isolating valve (on/off) or regulating valve
Installation	Clamping between two flanges with through bolting
Flange connections*	PN 6 / ANSI Class 150
Valve shut off pressure*	6 / 10 / 16 / 20 bar
Seat tightness	Bi-directional tight shut off acc. ISO 5208, Rate A
Face to face dimension	ISO 5752 / EN 558, basic series 20 (wafer short)
Available type approvals*	PED, WRAS, GOSST, Stoomwezen, FM
Actuation possibilities*	Manual, electric, pneumatic or hydraulic

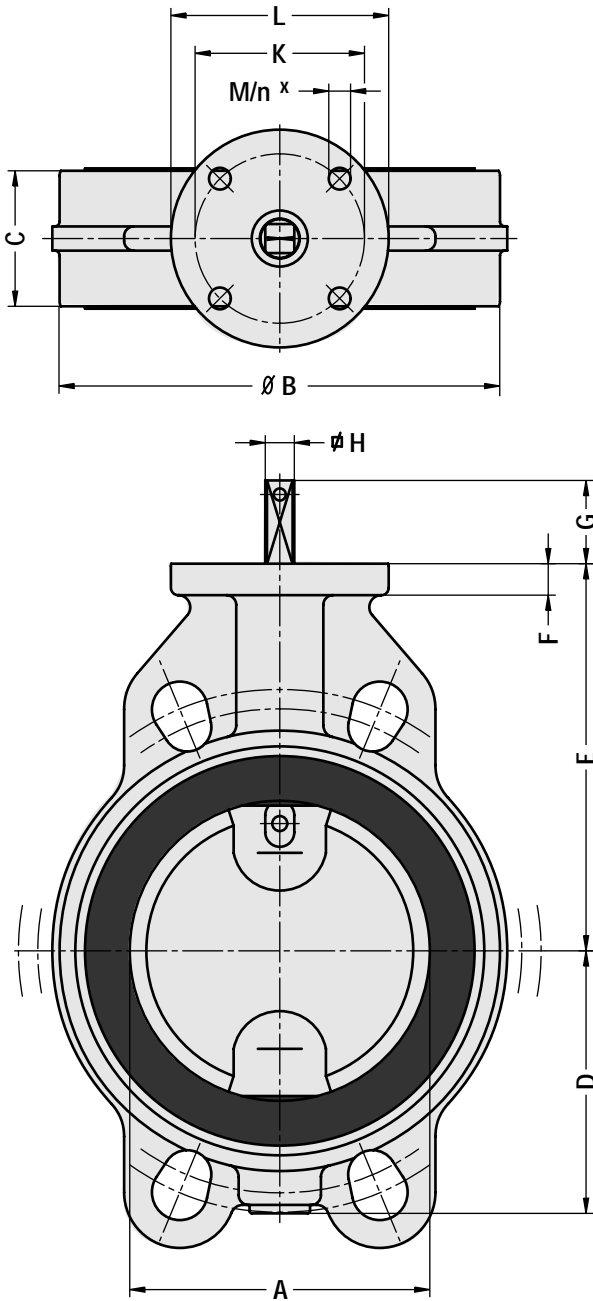
* Needs to be specified when ordering. Contact Wouter Witzel Eurovalve for detailed advice

CONSTRUCTION DETAILS:

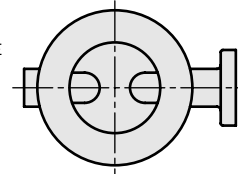


PARTS LIST:	
ITEM	DESCRIPTION
01	shaft
02	bush
03	o-ring
04	body rubber lined
05	bearing
06	conical pin
07	disc
08	shaft
10	sealing ring
11	plug

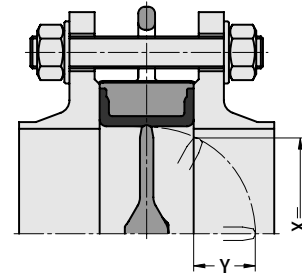
RANGE EVCS DN 50 - 300 (2" - 12")



PREFERRED POSITION
WHEN INSTALLED IN
HORIZONTAL PIPELINE



IN LINE INSTALLATION



for bolt lengths see pag. 19

DIMENSIONS:

DN	NPS	A	B	C	D	E	F	G	H	K	L	M	n	ISO 5211	X	Y	±kg
50	2	50	100	43	63	118	12	34	10	70	90	9	4	F07	25	4	2.8
65	2½	65	115	46	71	126	12	34	10	70	90	9	4	F07	46	10	3.6
80	3	80	130	46	78	133	12	34	10	70	90	9	4	F07	66	17	3.9
100	4	100	150	52	98	147	12	34	12	70	90	9	4	F07	86	24	5.1
125	5	125	182	56	109	160	12	34	12	70	90	9	4	F07	112	35	7.0
150	6	150	210	56	133	180	14	34	16	70	90	9	4	F07	140	47	9.5
200	8	200	262	60	158	204	14	34	16	70	90	9	4	F07	191	70	14
250	10	250	315	68	194	245	15	45	24	102	125	11	4	F10	241	91	24
300	12	300	371	78	219	270	15	45	24	102	125	11	4	F10	290	111	36