

PRODUCT SHEET

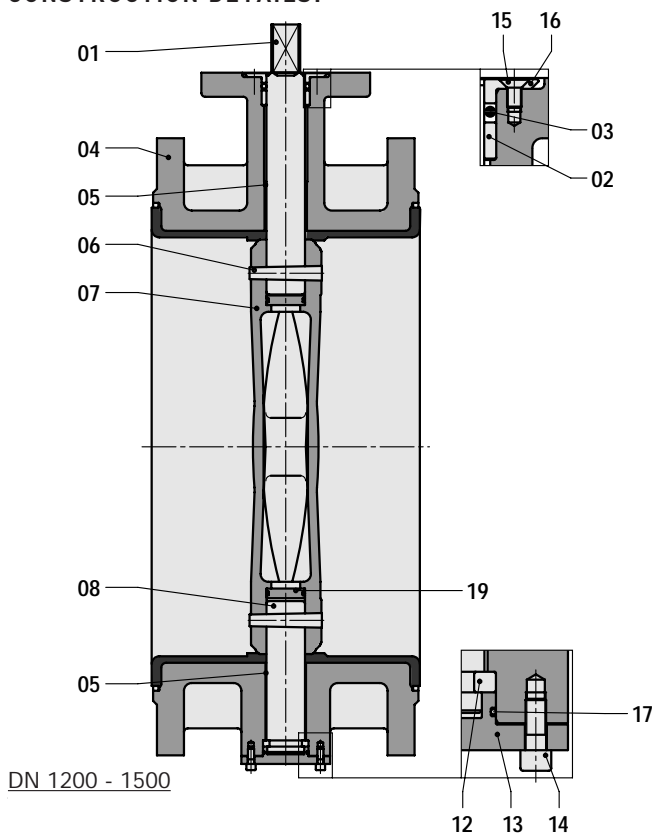
**6.1.3.6 BUTTERFLY VALVE - RANGE EVFL DN 1200 - 1500 (48" - 60")**

General specification, construction details, parts list and dimensions

General Specification:	
Body type	Double flanged long type, centric, rubberlined
Valve function*	Isolating valve (on/off) and/or regulating valve
Installation	Installation between flanges and with possibility for end of line service
Flange connections*	PN 10 / 16
Valve shut off pressure*	2,5 / 6 / 10 bar
Seat tightness	Bi-directional tight shut off acc. ISO 5208, Rate A
Face to face dimension	ISO 5752 / EN 558, basic series 14 (double flanged long)
Available type approvals*	PED, KIWA, DVGW gas & water, SVGW, WRAS, LRS, ABS, BV, CCS, CRS, GL, NKK, RINa, RMRS, GOSST, Stoomwezen
Actuation possibilities*	Manual, electric, pneumatic or hydraulic

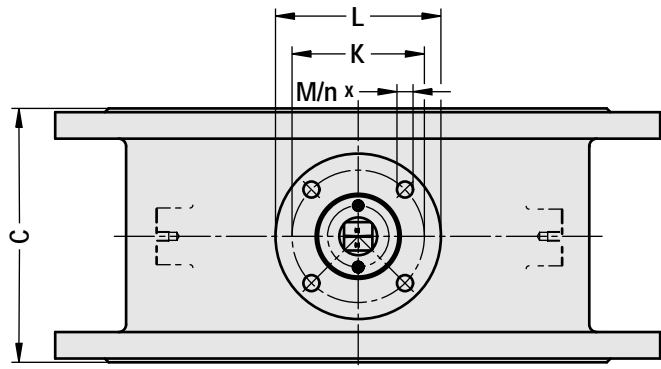
\* Needs to be specified when ordering. Contact Wouter Witzel Eurovalve for detailed advice

**CONSTRUCTION DETAILS:**

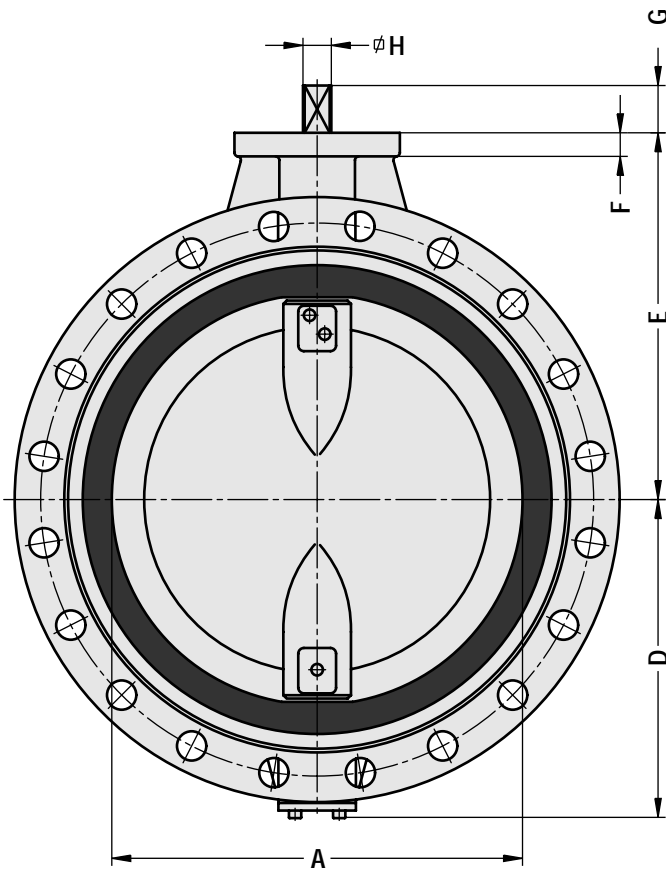
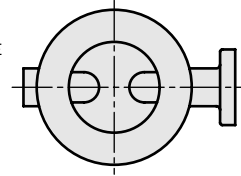


PARTS LIST:			
ITEM	DESCRIPTION	ITEM	DESCRIPTION
01	shaft	12	axial bearing
02	bush	13	cover plate
03	o-ring	14	screw
04	body rubber lined	15	screw
05	bearing	16	flanged bush
06	conical pin	17	o-ring
07	disc	18	ring
08	shaft	19	sealing plate

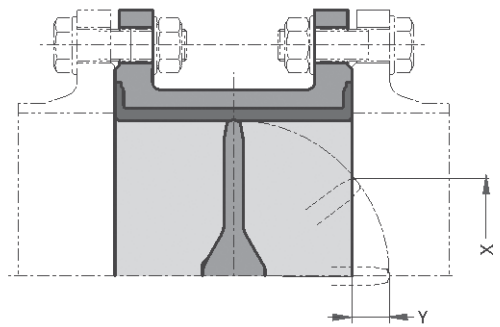
RANGE EVFL DN 1200 - 1500 (48" - 60")



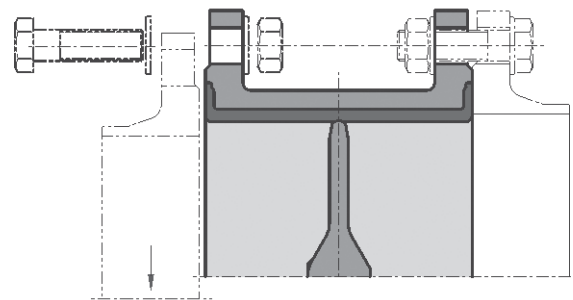
PREFERRED POSITION  
WHEN INSTALLED IN  
HORIZONTAL PIPELINE



IN LINE INSTALLATION



DEAD END SERVICE



**DIMENSIONS:**

DN	NPS	$\Delta P_{max}$	A	C	D	E	F	G	H	K	L	M	n	ISO 5211	X	Y	±kg
1200	48	10 bar	1186	630	870	855	35	85	75	298	415	21	8	F30	1005	315	1600
1200	48	16 bar	1186	630	870	855	35	85	75	356	415	31	8	F35	1005	315	1600
1400	56	6 bar	1386	530	970	955	35	85	75	298	415	21	8	F30	1184	330	2100
1400	56	10 bar	1386	710	970	955	35	85	75	356	415	31	8	F35	1184	330	2100
1400	56	16 bar	1386	710	980	955	35	100	90	356	415	31	8	F35	1184	330	2100
1500	60	10 bar	1484	750	1037	1029	50	100	90	356	475	81	8	F35	1283	368	2500
1500	60	16 bar	1484	750	1037	1029	50	120	105	406	475	37	8	F40	1283	368	2500