

PRODUCT SHEET

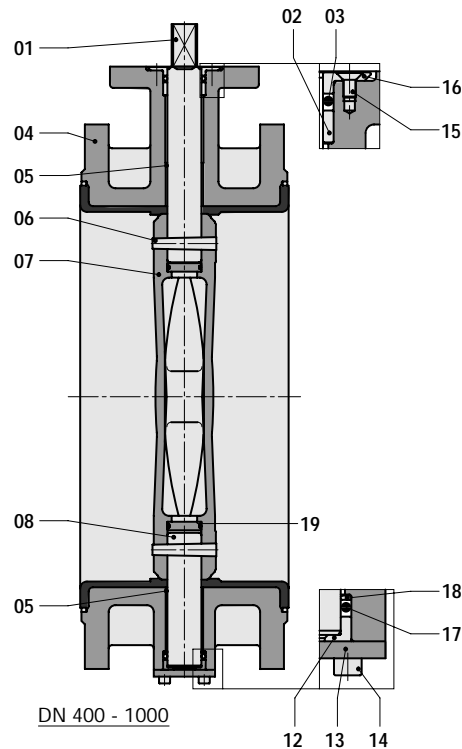
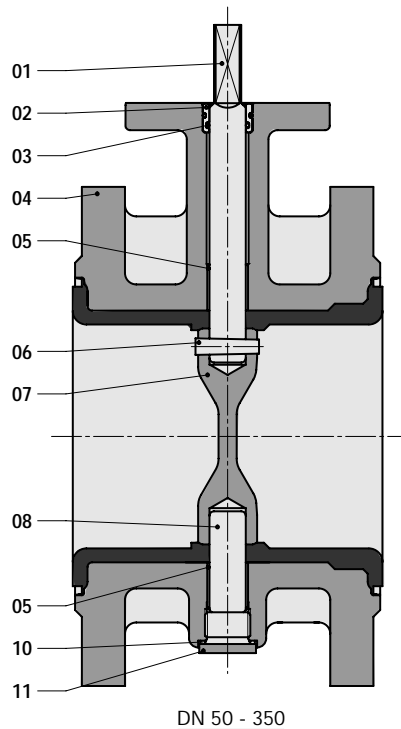
6.1.3.5 BUTTERFLY VALVE - RANGE EVFL DN 50 - 1000 (2" - 40")

General specification, construction details, parts list and dimensions

General Specification:	
Body type	Double flanged long type, centric, rubberlined
Valve function*	Isolating valve (on/off) and/or regulating valve
Installation	Installation between flanges and with possibility for dead end service.
Flange connections*	PN 10 (PN 16 on some sizes)
Valve shut off pressure*	2.5 / 6 / 10 bar
Seat tightness	Bi-directional tight shut off acc. ISO 5208, Rate A
Face to face dimension	ISO 5752 / EN 558, basic series 14 (double flanged long)
Available type approvals*	PED, KIWA, DVGW gas & water, SVGW, WRAS, LRS, ABS, BV, CCS, CRS, NKK, GL, RINa, RMRS, GOSST, Stoomwezen, FM
Actuation possibilities*	Manual, electric, pneumatic or hydraulic

* Needs to be specified when ordering. Contact Wouter Witzel Eurovalve for detailed advice.

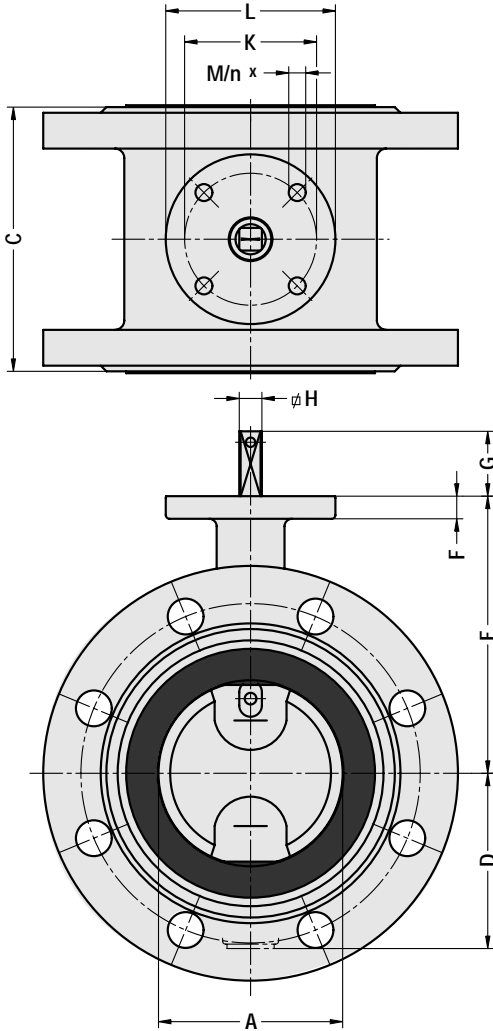
CONSTRUCTION DETAILS:



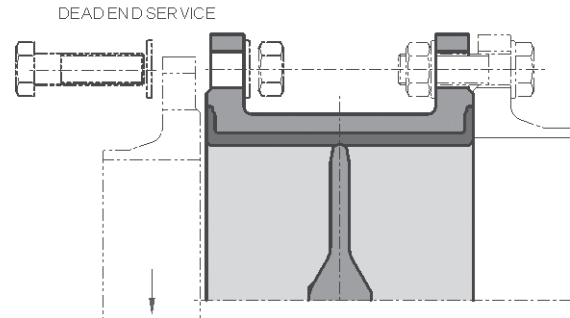
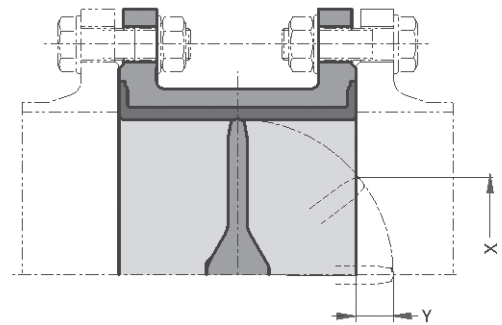
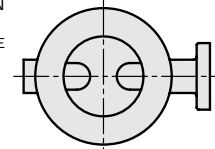
PARTS LIST:	
ITEM	DESCRIPTION
01	shaft
02	bush
03	o-ring
04	body rubber lined
05	bearing
06	conical pin
07	disc
08	shaft
10	sealing ring
11	plug

PARTS LIST:			
ITEM	DESCRIPTION	ITEM	DESCRIPTION
01	shaft	12	axial bearing
02	bush	13	cover plate
03	o-ring	14	screw
04	body rubber lined	15	screw
05	bearing	16	flanged bush
06	conical pin	17	o-ring
07	disc	18	ring
08	shaft	19	sealing plate

RANGE EVFL DN 50 - 1000 (2" - 40")



PREFERRED POSITION
WHEN INSTALLED IN
HORIZONTAL PIPELINE



for bolt lengths see pag. 19

DIMENSIONS:

DN	NPS	A	C	D	E	F	G	H	K	L	M	n	ISO 5211	X	Y	±kg
50	2	50	150	63	118	12	34	10	70	90	9	4	F07	-	-	11
65	2½	65	170	71	126	12	34	10	70	90	9	4	F07	-	-	13
80	3	80	180	78	133	12	34	10	70	90	9	4	F07	-	-	17
100	4	100	190	98	147	12	34	12	70	90	9	4	F07	-	-	20
125	5	125	200	109	160	12	34	12	70	90	9	4	F07	-	-	26
150	6	150	210	133	180	14	34	16	70	90	9	4	F07	-	-	31
200	8	200	230	158	204	14	34	16	70	90	9	4	F07	-	-	45
250	10	250	250	194	245	15	45	24	102	125	11	4	F10	-	-	70
300	12	300	270	219	270	15	45	24	102	125	11	4	F10	131	15	90
350	14	336	290	256	315	15	45	24	102	125	11	4	F10	170	23	120
400	16	386	310	308	363	25	50	30	140	175	17	4	F14	230	38	165
450	18	436	330	334	388	25	50	30	140	175	17	4	F14	285	53	200
500	20	486	350	360	413	25	50	30	140	175	17	4	F14	337	68	230
600	24	586	390	426	510	25	50	40	140	175	17	4	F14	438	98	320
700	28	686	430	480	560	25	60	46	165	210	21	4	F16	535	128	420
800	32	786	470	525	610	25	60	46	165	210	21	4	F16	630	158	610
900	36	886	510	635	690	30	90	60	254	300	17	8	F25	725	188	820
1000	40	986	550	685	740	30	90	60	*254	350	*17	8	*F25	819	218	1130

*) F30 [pcd 298.8 x Ø 21] at ΔP_{max} = 16 bar