

PRODUCT SHEET

6.1.3.4 BUTTERFLY VALVE - RANGE EVFS DN 1200 - 2000 (48" - 80")

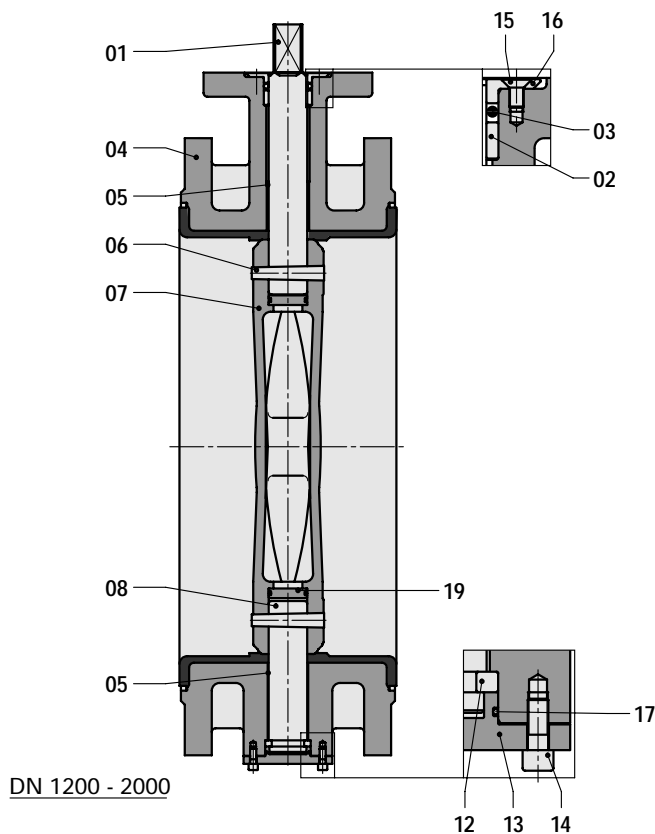
General specification, construction details, parts list and dimensions

General Specification:

Body type	Double flanged short type, centric, rubberlined
Valve function*	Isolating valve (on/off) and/or regulating valve
Installation	Installation between flanges and with possibility for dead end service.
Flange connections*	PN 6 / 10 / 16 / ANSI Class 150 / JIS 5 / 10 / 16
Valve shut off pressure*	2,5 / 6 / 10 / 16 bar
Seat tightness	Bi-directional tight shut off acc. ISO 5208, Rate A
Face to face dimension	ISO 5752 / EN 558, basic series 13 (double flanged short)
Available type approvals*	PED, KIWA, DVGW gas & water, SVGW, WRAS, CCS, CRS, LRS, DNV, ABS, BV, GL, RINa, NKK, RMRS, GOSST, Stoomwezen
Actuation possibilities*	Manual, electric, pneumatic or hydraulic

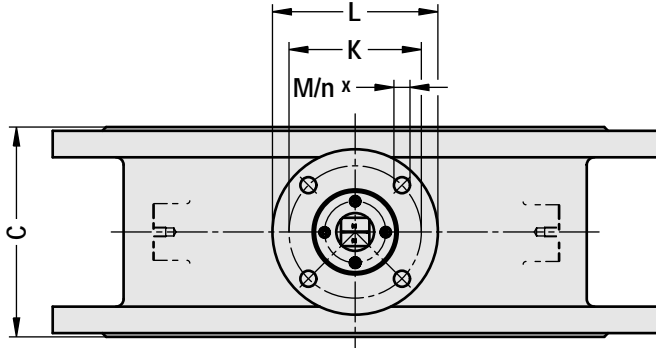
* Needs to be specified when ordering. Contact Wouter Witzel Eurovalve for detailed advice

CONSTRUCTION:

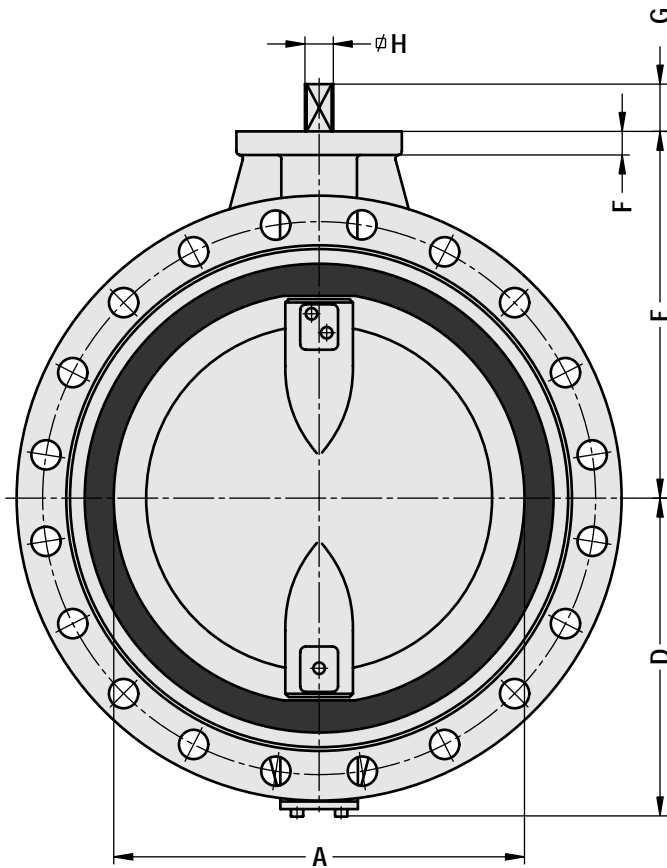
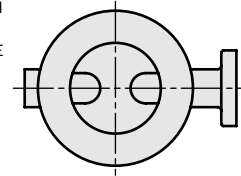


PARTS LIST:			
ITEM	DESCRIPTION	ITEM	DESCRIPTION
01	shaft	12	axial bearing
02	bush	13	cover plate
03	o-ring	14	screw
04	body rubber lined	15	screw
05	bearing	16	flanged bush
06	conical pin	17	o-ring
07	disc	18	ring
08	shaft	19	sealing plate

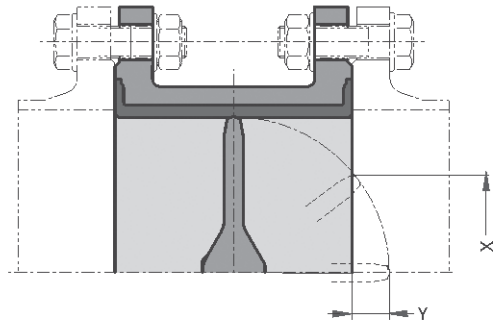
RANGE EVFS DN 1200 - 2000 (48" - 80")



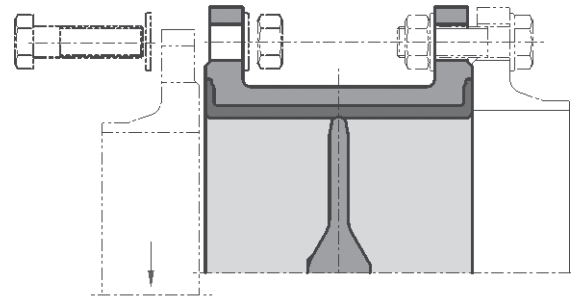
PREFERRED POSITION
WHEN INSTALLED IN
HORIZONTAL PIPELINE



IN LINE INSTALLATION



DEAD END SERVICE



DIMENSIONS:

DN	NPS	ΔP_{max}	A	C	D	E	F	G	H	K	L	M	n	ISO 5211	X	Y	$\pm kg$
1200	48	10 bar	1186	470	870	855	35	85	75	298	415	21	8	F30	1089	358	1300
1200	48	16 bar	1186	470	870	855	35	85	75	356	415	31	8	F35	1089	358	1300
1400	56	6 bar	1386	530	970	955	35	85	75	298	415	21	8	F30	1281	428	1700
1400	56	10 bar	1386	530	970	955	35	85	75	356	415	31	8	F35	1281	428	1700
1400	56	16 bar	1386	530	980	955	35	100	90	356	415	31	8	F35	1281	428	1700
1500	60	10bar	1484	600	1037	1029	50	100	90	356	475	31	8	F35	1360	443	2100
1500	60	16bar	1484	600	1037	1029	50	120	105	406	475	37	8	F40	1360	443	2100
1600	64	10 bar	1586	600	1096	1079	50	100	90	356	475	31	8	F35	1469	493	2500
1600	64	16 bar	1586	600	1096	1079	50	120	105	406	475	37	8	F40	1469	493	2500
1800	72	6 bar	1776	670	1187	1176	50	100	90	356	415	31	8	F35	1642	550	3500
1800	72	10 bar	1776	670	1187	1176	50	120	105	406	475	37	8	F40	1642	550	3500
2000	80	6 bar	1976	760	1287	1276	50	120	105	356	475	31	8	F35	1822	606	4000
2000	80	10 bar	1976	760	1287	1276	50	140	120	406	475	37	8	F40	1822	606	4000