

PRODUCT SHEET

6.1.1.3 BUTTERFLY VALVE - RANGE EVL DN 80 - 300 (3" - 12")

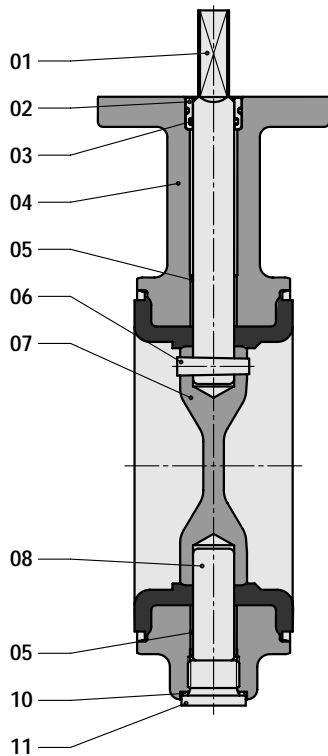
General specification, construction details, parts list and dimensions

GENERAL SPECIFICATION:

Body type	Flangeless wafer long type
Valve function*	Isolating valve (on/off) or regulating valve
Installation	Clamping between two flanges with through bolting.
Flange connections*	PN 6 / 10 / 16 / ANSI Class 150 / JIS 5 / 10 / 16
Valve shut off pressure*	6 / 10 / 16 / 20 bar
Seat tightness	Bi-directional tight shut off acc. ISO 5208, Rate A
Face to face dimension	ISO 5752 / EN 558, basic series 16 (wafer long) (DN 50,65 = EVS series 20)
Available type approvals*	PED, KIWA, DVGW gas & water, SVGW, WRAS, LRS, ABS, GL, RINa, NKK, RMRS, CCS, CRS, Stoomwezen
Actuation possibilities*	Manual, electric, pneumatic or hydraulic

* Needs to be specified when ordering. Contact Wouter Witzel Eurovalve for detailed advice

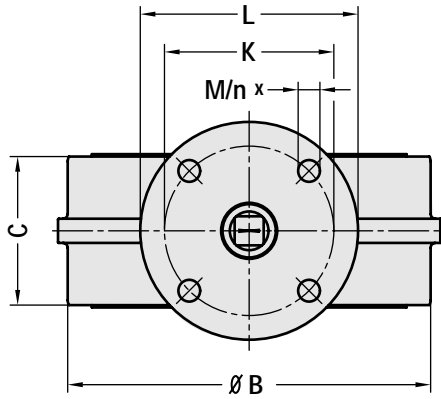
CONSTRUCTION DETAILS:



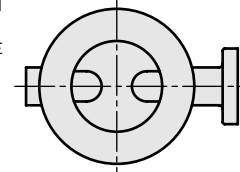
PARTS LIST:

ITEM	DESCRIPTION
01	shaft
02	bush
03	o-ring
04	body rubber lined
05	bearing
06	conical pin
07	disc
08	shaft
10	sealing ring
11	plug

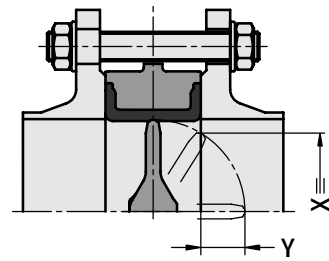
RANGE EVL DN 80 - 300 (3" - 12")



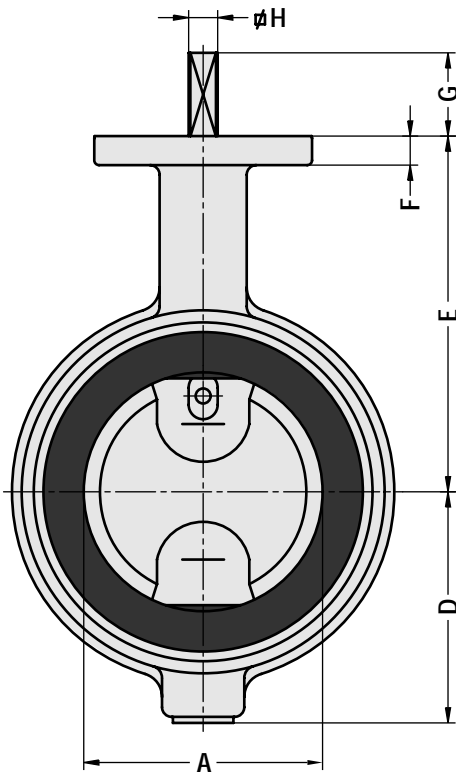
PREFERRED POSITION
WHEN INSTALLED IN
HORIZONTAL PIPELINE



IN LINE INSTALLATION



for bolt lengths see pag. 19



DIMENSIONS:

DN	NPS	A	B	C	D	E	F	G	H	K	L	M	n	ISO 5211	X	Y	±kg
50	2													EQUAL TO EVS			
65	2 1/2													EQUAL TO EVS			
80	3	80	130	64	78	133	12	34	10	70	90	9	4	F07	48	8	5.5
100	4	100	150	64	98	147	12	34	12	70	90	9	4	F07	77	18	6.5
125	5	125	182	70	109	160	12	34	12	70	90	9	4	F07	104	28	10
150	6	150	210	76	133	180	14	34	16	70	90	9	4	F07	130	37	12
200	8	200	262	89	158	204	14	34	16	70	90	9	4	F07	179	56	18
250	10	250	315	114	194	245	15	45	24	102	125	11	4	F10	223	68	26
300	12	300	371	114	219	270	15	45	24	102	125	11	4	F10	278	93	26