

PRODUCT SHEET

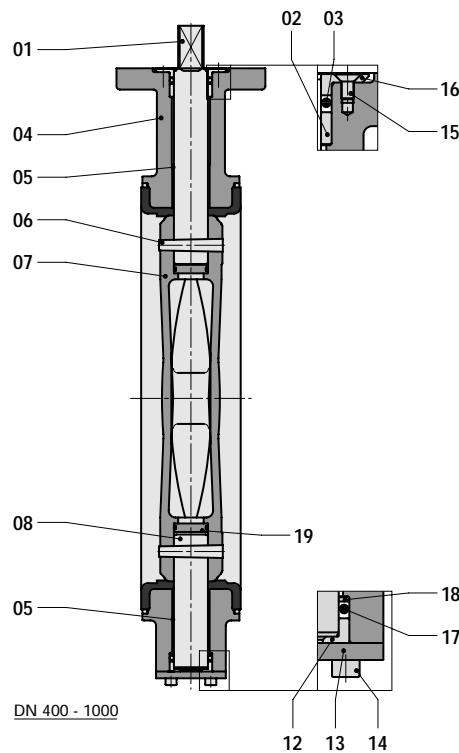
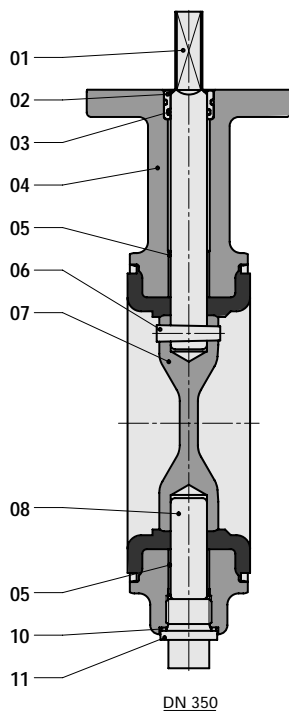
6.1.3.2 BUTTERFLY VALVE - RANGE EVMS DN 350 - 1000 (14" - 40")

General specification, construction details, parts list and dimensions

General Specification:	
Body type	Single flange wafer short type
Valve function*	Isolating valve (on/off) and/or regulating valve
Installation	Clamping between flanges with possibility for end of line service.
Flange connections*	PN 10 / 16
Valve shut off pressure*	2,5 / 6 / 10 / 16 bar
Seat tightness	Bi-directional tight shut off acc. ISO 5208, Rate A
Face to face dimension	ISO 5752 / EN 558, basic series 20 (wafer short)
Available type approvals*	PED, BV, CCS, CRS, DNV, ABS, LRS, NKK, RINa, NKK, RMRS, DVGW gas & water, SVGW, WRAS, GOSST, Stoomwezen, FM
Actuation possibilities*	Manual, electric, pneumatic or hydraulic

* Needs to be specified when ordering. Contact Wouter Witzel Eurovalve for detailed advice

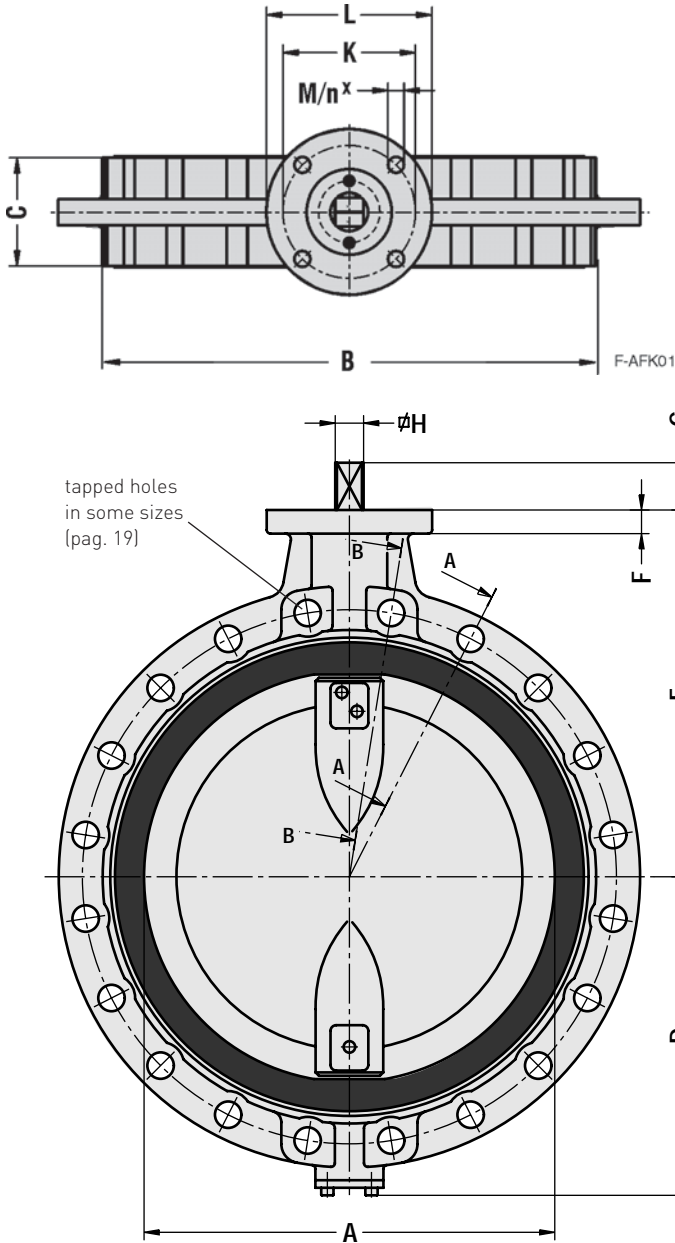
CONSTRUCTION DETAILS:



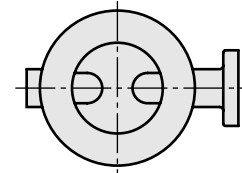
PARTS LIST:	
ITEM	DESCRIPTION
01	shaft
02	bush
03	o-ring
04	body rubber lined
05	bearing
06	conical pin
07	disc
08	shaft
10	sealing ring
11	plug

PARTS LIST:			
ITEM	DESCRIPTION	ITEM	DESCRIPTION
01	shaft	12	axial bearing
02	bush	13	cover plate
03	o-ring	14	screw
04	body rubber lined	15	screw
05	bearing	16	flanged bush
06	conical pin	17	o-ring
07	disc	18	ring
08	shaft	19	sealing plate

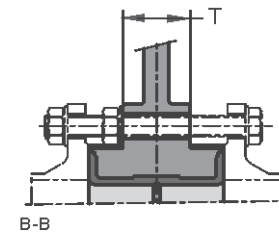
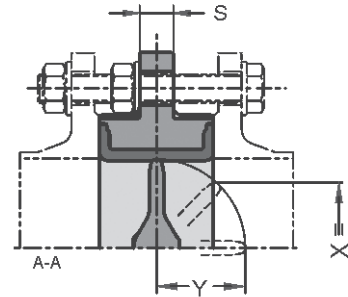
RANGE EVMS DN 350 - 1000 (14" - 40")



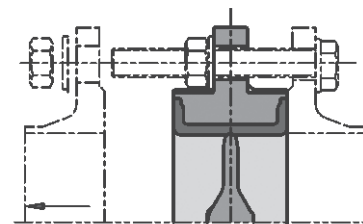
PREFERRED POSITION WHEN INSTALLED IN HORIZONTAL PIPELINE



IN LINE INSTALLATION



DEAD END SERVICE



DIMENSIONS:

DN	NPS	A	B	C	D	E	F	G	H	K	L	M	n	ISO 5211	S	T	X	Y	±kg
350	14	336	405	78	256	315	15	45	24	102	125	11	4	F10	26	-	327	129	45
400	16	386	470	102	308	363	25	50	30	140	175	17	4	F14	28	43	373	142	85
450	18	436	522	114	334	388	25	50	30	140	175	17	4	F14	28	54	421	161	100
500	20	486	576	127	360	413	25	50	30	140	175	17	4	F14	32	60	470	180	135
600	24	586	672	154	426	510	25	50	40	140	175	17	4	F14	35	76	566	216	200
700	28	686	776	165	480	560	25	60	46	165	210	21	4	F16	37	115	666	261	315
800	32	786	880	190	525	610	25	60	46	165	210	21	4	F16	40	115	763	298	365
900	36	886	980	203	635	690	30	90	60	254	300	17	8	F25	40	190	863	342	500
1000	40	986	1085	216	685	740	30	90	60	*254	350	*17	8	*F25	50	200	973	390	670

*) F30 [pcd 298.8 x Ø 21] at ΔP_{max} = 16 bar