

PRODUCT SHEET

6.1.1 FLANGELESS WAFER VALVES

6.1.1.1 BUTTERFLY VALVE - RANGE EVS DN 50 - 600 (2" - 24")

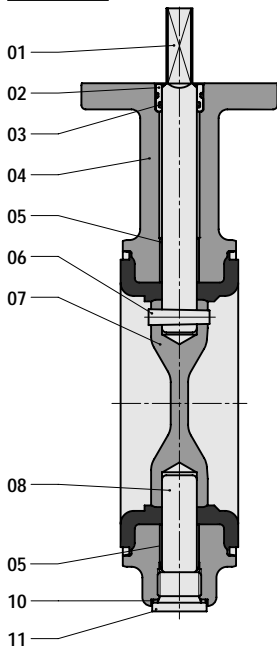
General specification, construction details, parts list and dimensions

GENERAL SPECIFICATION:	
Body type	Flangeless wafer short type
Valve function*	Isolating valve (on/off) and/or regulating valve
Installation	Clamping between two flanges with through bolting
Flange connections*	PN 6 / 10 / 16 / Class 150 / JIS 5 / 10 / 16
Valve shut off pressure*	dp max 2,5 / 6 / 10 / 16 / 20 bar
Seat tightness	Bi-directional tight shut off acc. ISO 5208, Rate A
Face to face dimension	ISO 5752 / EN 558, basic series 20 (wafer short)
Available type approvals*	PED, Kitemark, KIWA, DVGW gas & water, SVGW, WRAS, LRS, DNV, ABS, BV, GL, RINa, NKK, RMRS, CCS, CRS, UL, FM, GOSST, Stoomwezen
Actuation possibilities*	Manuel, electric, pneumatic or hydraulic

* Needs to be specified when ordering. Contact Wouter Witzel Eurovalve for detailed advice.

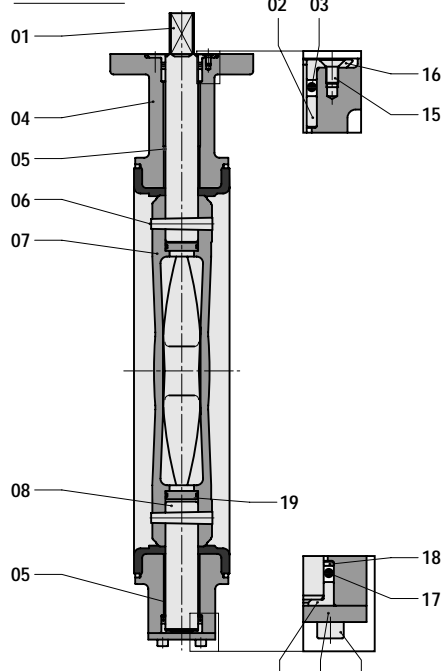
CONSTRUCTION DETAILS:

DN 50 - 350



PARTS LIST:	
ITEM	DESCRIPTION
01	shaft
02	bush
03	o-ring
04	body rubber lined
05	bearing
06	conical pin
07	disc
08	shaft
10	sealing ring
11	plug

DN 400 - 600

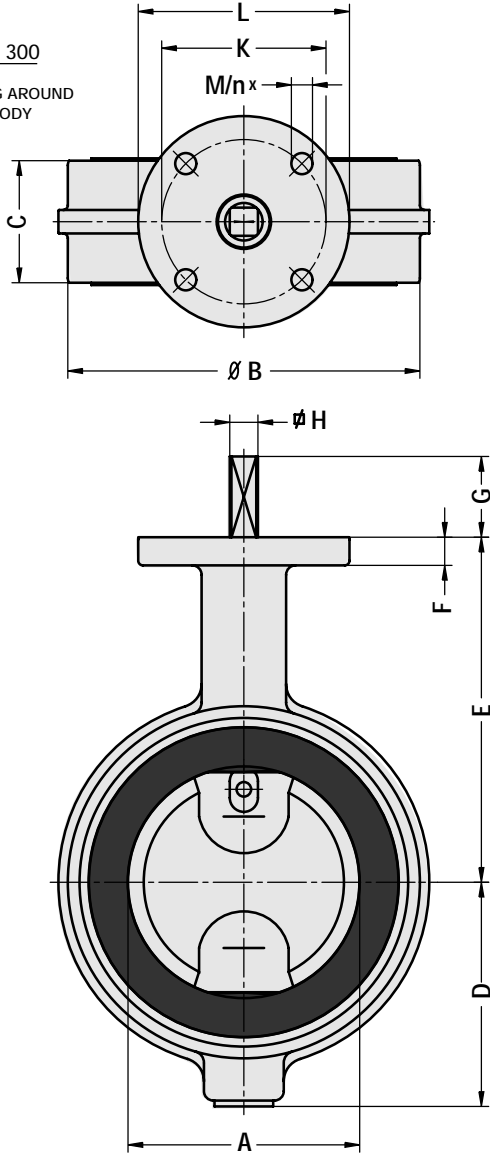


PARTS LIST:			
ITEM	DESCRIPTION	ITEM	DESCRIPTION
01	shaft	12	axial bearing
02	bush	13	cover plate
03	o-ring	14	screw
04	body rubber lined	15	screw
05	bearing	16	flanged bush
06	conical pin	17	o-ring
07	disc	18	ring
08	shaft	19	sealing plate

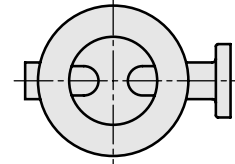
RANGE EVS DN 50 - 600 (2" - 24")

DN 50 - 300

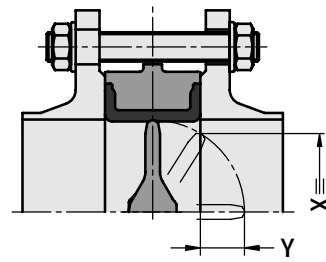
CENTRING AROUND THE BODY



PREFERRED POSITION WHEN INSTALLED IN HORIZONTAL PIPELINE

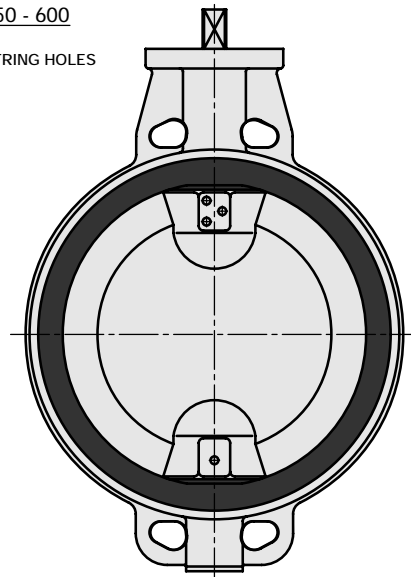


IN LINE INSTALLATION



DN 350 - 600

WITH CENTRING HOLES



DIMENSIONS:

DN	NPS	A	B	C	D	E	F	G	H	K	L	M	n	ISO 5211	X	Y	±kg
40	1 1/2	50	*100	**43	63	118	12	34	10	70	90	9	4	F07	25	4	2.6
50	2	50	100	43	63	118	12	34	10	70	90	9	4	F07	25	4	2.6
65	2 1/2	65	115	46	71	126	12	34	10	70	90	9	4	F07	46	10	3.2
80	3	80	130	46	78	133	12	34	10	70	90	9	4	F07	66	17	3.5
100	4	100	150	52	98	147	12	34	12	70	90	9	4	F07	86	24	4.5
125	5	125	182	56	109	160	12	34	12	70	90	9	4	F07	112	35	6.3
150	6	150	210	56	133	180	14	34	16	70	90	9	4	F07	140	47	8.8
200	8	200	262	60	158	204	14	34	16	70	90	9	4	F07	191	70	13.2
250	10	250	315	68	194	245	15	45	24	102	125	11	4	F10	241	91	22
300	12	300	371	78	219	270	15	45	24	102	125	11	4	F10	290	111	32
350	14	336	405	78	256	315	15	45	24	102	125	11	4	F10	327	129	40
400	16	386	470	102	308	363	25	50	30	140	175	17	4	F14	373	142	75
450	18	436	522	114	334	388	25	50	30	140	175	17	4	F14	421	161	90
500	20	486	576	127	360	413	25	50	30	140	175	17	4	F14	470	180	120
600	24	586	672	154	426	510	25	50	40	140	175	17	4	F14	566	216	180

Note. Intermediate sizes (eg DN 175/7" or DN 550/22") are available on request. * Notched body ** Works standard