

PRODUCT SHEET

6.1.1.2 BUTTERFLY VALVE - RANGE EVS DN 700 - 1400 (28" - 56")

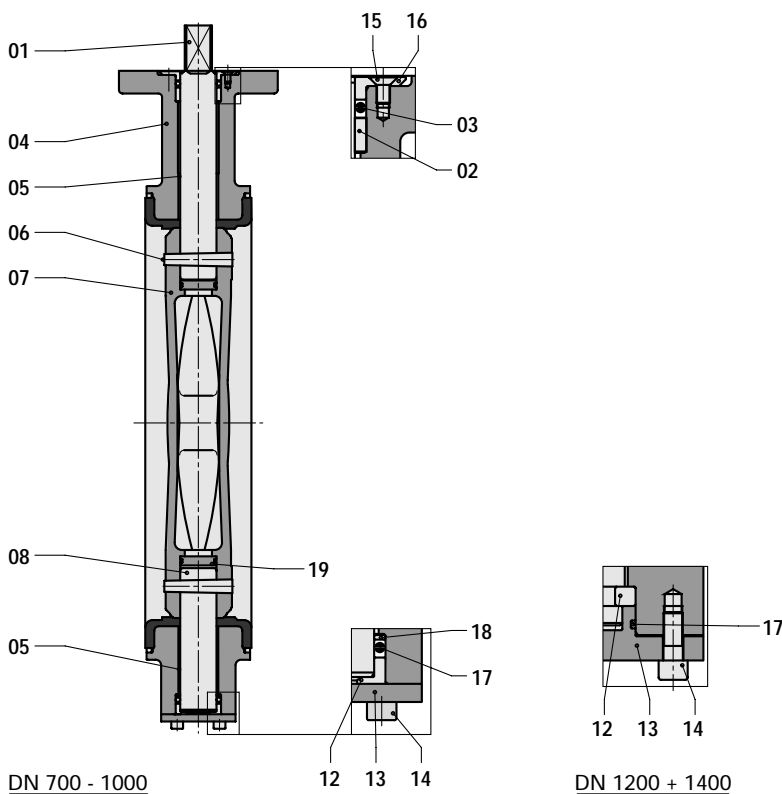
General specification, construction details, parts list and dimensions

**GENERAL SPECIFICATION:**

Body type	Flangeless wafer short type with drilled or tapped holes
Valve function*	Isolating valve (on/off) and/or regulating valve
Installation	Clamping between two flanges
Flange connections*	PN 6 / 10 / 16 / ASME Class 150 / JIS 5 / 10 / 16
Valve shut off pressure*	2,5 / 6 / 10 / 16 bar
Seat tightness	Bi-directional tight shut off acc. ISO 5208, Rate A
Face to face dimension	ISO 5752 / EN 558, basic series 20 (wafer short). NB: DN 1400: Works standard
Available type approvals*	PED, KIWA, DVGW gas & Water, SVGW, WRAS, LRS, DNV, ABS, BV, GL, RINa, NKK, RMRS, CCS, CRS, GOSST, Stoomwezen
Actuation possibilities*	Manuel, electric, pneumatic or hydraulic

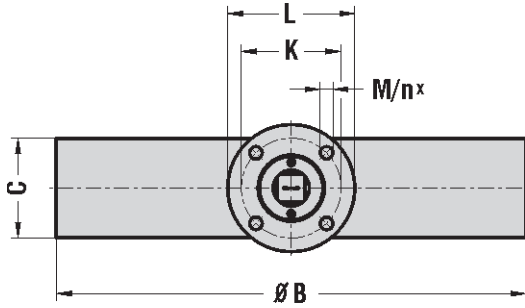
\* Needs to be specified when ordering. Contact Wouter Witzel Eurovalve for detailed advice.

**CONSTRUCTION DETAILS:**

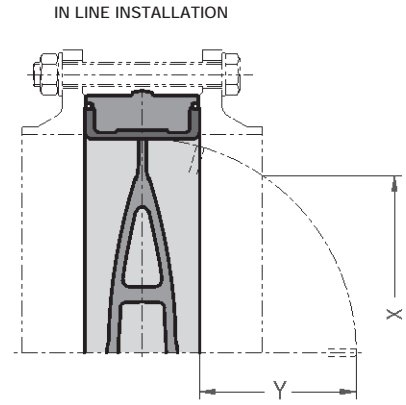
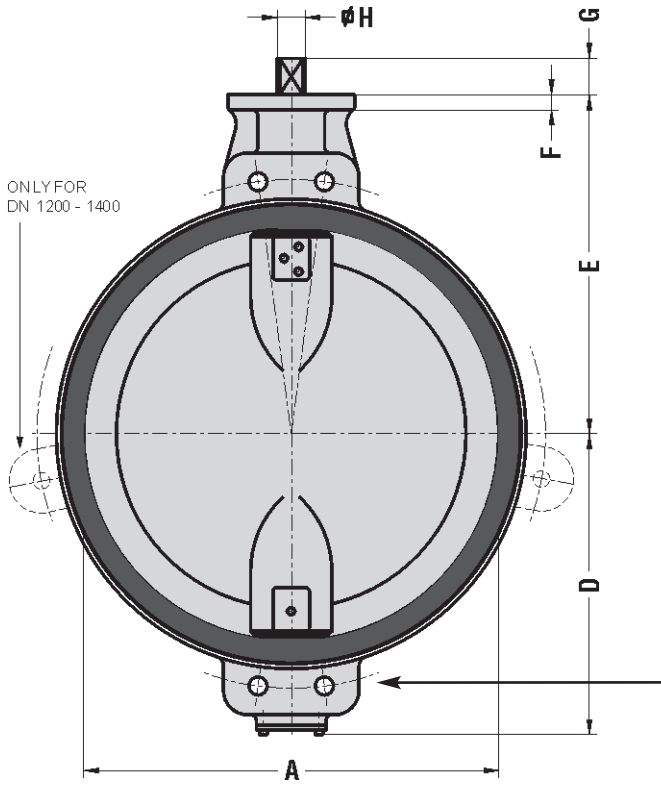
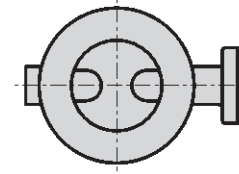


PARTS LIST:			
ITEM	DESCRIPTION	ITEM	DESCRIPTION
01	shaft	12	axial bearing
02	bush	13	cover plate
03	o-ring	14	screw
04	body rubber lined	15	screw
05	bearing	16	flanged bush
06	conical pin	17	o-ring
07	disc	18	ring
08	shaft	19	sealing plate

RANGE EVS DN 700 - 1400 (28" - 56")



PREFERRED POSITION WHEN INSTALLED IN HORIZONTAL PIPELINE



Holes drilled through or blind tapped, depending on flange connection. (see page 19)

DIMENSIONS:																		
DN	NPS	ΔPmax	A	B	C	D	E	F	G	H	K	L	M	n	ISO 5211	X	Y	±kg
700	28	16 bar	686	776	165	480	560	25	60	46	165	210	21	4	F16	666	261	295
750	30	16 bar	736	826	190	520	585	25	60	46	165	210	21	4	F16	711	278	295
800	32	16 bar	786	880	190	525	610	25	60	46	165	210	21	4	F16	763	298	345
900	36	16 bar	868	980	203	635	690	30	90	60	254	300	17	8	F25	863	342	475
1000	40	10 bar	986	1085	216	685	740	30	90	60	254	350	17	8	F25	973	390	635
1000	40	16 bar	986	1085	216	685	740	30	90	60	298	350	21	8	F30	973	390	635
1200	48	10 bar	1168	1300	254	870	855	35	85	75	298	415	21	8	F30	1159	466	1500
1200	48	16 bar	1168	1300	254	870	855	35	85	75	298	415	21	8	F35	1159	466	1500
1400	56	10 bar	1386	1500	*250	980	955	35	85	75	356	415	31	8	F35	1364	568	1900
1400	56	16 bar	1386	1500	*250	980	955	35	85	90	356	415	31	8	F35	1364	568	1900

Note: Intermediate sizes (eg DN 650/26", DN 850/34", DN 1100/44") are available on request \* Works standard dimension