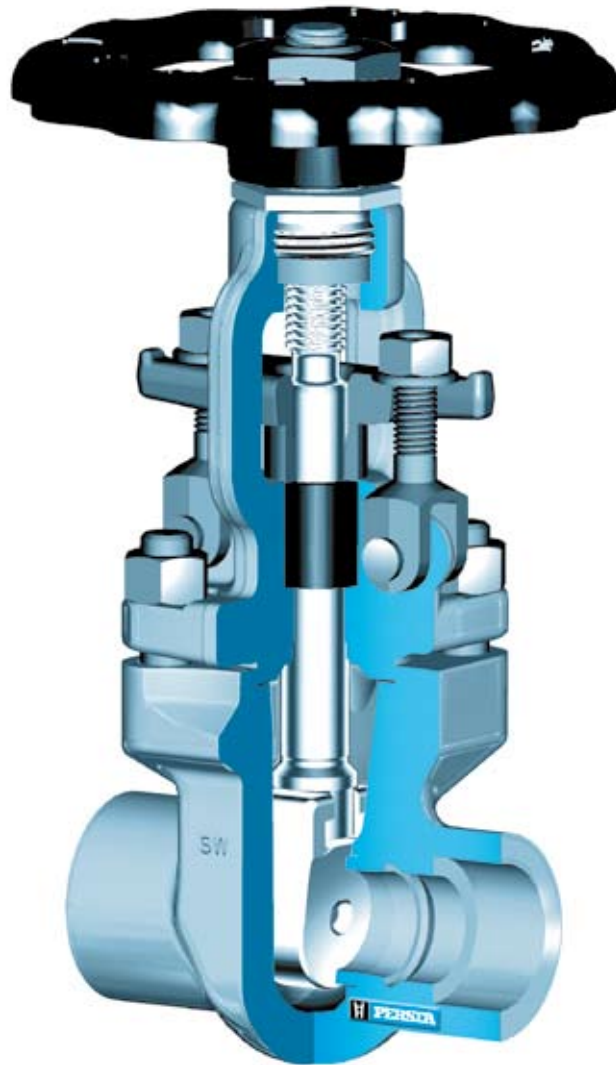


▪ Gate valves ▪ Small gate valve ▪ 808 GJ ▪ PN 10-100 ▪ DN 10-40



**Range of application**

Admissible operating pressure [bar] at design temperature [°C] <sup>1)</sup>

Material	PN	-200	-60	-10	20	120	150	200	250	300	350	400	450	475	480	500	510	520	530	540	550	
<b>1.0460</b>	<b>10-40</b>			40	40	40	37	35	32	28	24	21	13	8	7							
	<b>63</b>			63	63	63	56	50	45	40	36	32	21	13	12							
	<b>100</b>			100	100	100	90	80	70	60	56	50	34	21	19							
<b>1.7335</b>	<b>10-40</b>			40	40	40	40	40	40	38	36	34	32	31	29	24	19	15	12	9		
	<b>63</b>			63	63	63	63	63	63	61	58	56	52	51	47	40	32	25	20	15		
	<b>100</b>			100	100	100	100	100	100	95	91	87	81	79	74	62	49	38	30	23		
<b>1.0566 <sup>2)</sup></b>	<b>10-40</b>			40	40	40	37	35	34	28												
	<b>63</b>			63	63	63	58	50	45	40												
	<b>100</b>			100	100	100	92	80	70	60												
<b>1.4571</b>	<b>10-40</b>	40	40	40	40	40	38	35	33	31	30	29										
	<b>63</b>	63	63	63	63	63	57	50	47	44	42	40										
	<b>100</b>	100	100	100	100	100	90	80	75	70	65	60										

1) Operating temperature = design temperature minus temperature surcharge acc. to DIN regulations.

2) At temperature > 50 °C only applicable for short-time service.

▪ **Gate valves** ▪ **Small gate valve** ▪ **808 GJ** ▪ **PN 10-100** ▪ **DN 10-40**

**Standard features**

- Die-forged body and bonnet
- Full bore
- Wedge
- Outside screw and yoke
- Non-turning rising stem
- Available with flange, socket and butt-weld ends

**Pressure and temperature ratings**

- Pressure rating up to 100 bar
- Temperature rating up to 550 °C

**Materials**

- 1.0460
- 1.7335
- 1.0566
- 1.4571

Further materials on request.

**Media**

Depending on the material the gate valves are suitable for water, gas, oil and other non aggressive media

**Fields of application**

Chemical industries, power plants, ship building and other

**Design Highlights**

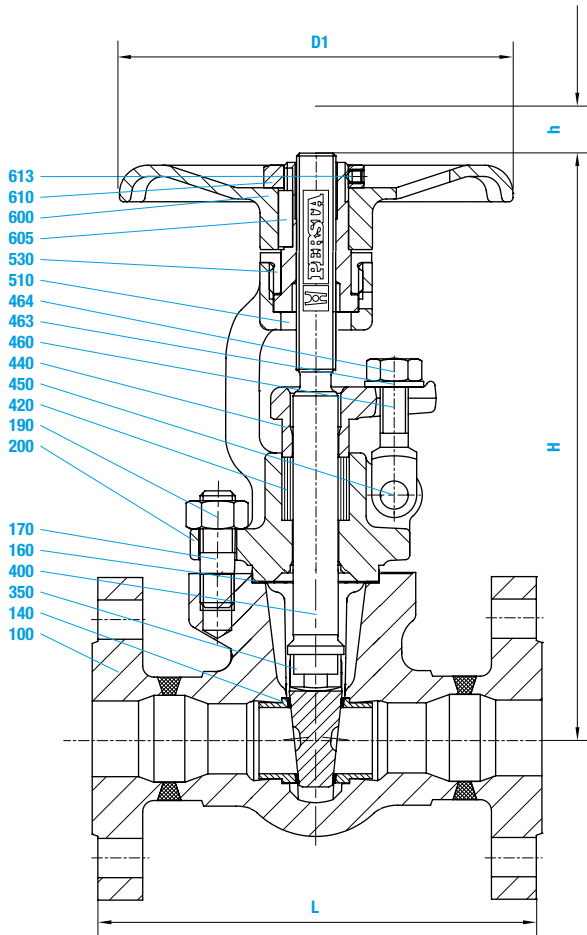
- Die-forged body and bonnet
- Wedge made of stellite
- Gasket, male and female face
- Full bore
- Non-turning, rising stem

**Benefits**

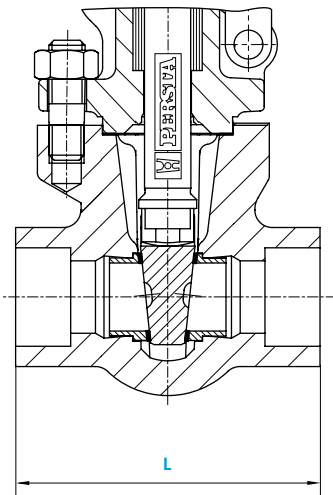
- Free from porosity and shrink holes
- Extremely resistant to wear
- Blow out protection
- No reduction in seat area
- Minimal wear of the gland-packing

■ Gate valves ■ Small gate valve ■ 808 GJ ■ PN 10-100 ■ DN 10-40

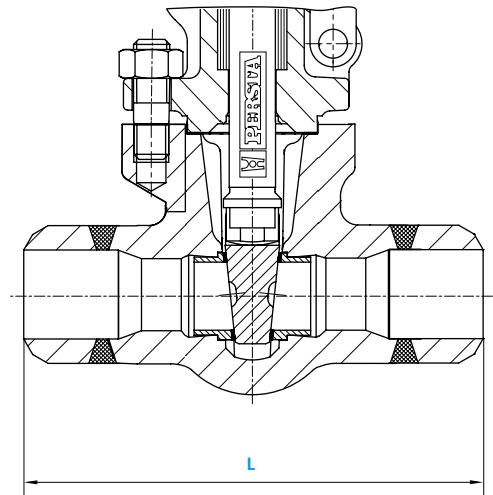
**Small gate valve FL-version**



**Socket welding version**



**BW-version**



■ Gate valves ■ Small gate valve ■ 808 GJ ■ PN 10-100 ■ DN 10-40

Materials					
Pos.	Component	1.0460 (21)	1.7335 (44)	1.0566 (25)	1.4571 (87)
100	Body	1.0460	1.7335	1.0566	1.4571
140	Seat ring	1.4571	1.4571 <sup>1)</sup>	1.4571	1.4571
160	▶ Gasket	Graphite	Graphite	Graphite	Graphite
170	Stud	1.7709	1.4923	A4-70	A4-70
190	Hexagonal nut	1.7218	1.4923	A4-70	A4-70
200	Bonnet	1.0460	1.7335	1.0566	1.4571
350	Wedge	1.4021	2.5788	2.5788	2.5788
400	▶ Stem	1.4021	1.4021	1.4571	1.4571
420	▶ Packing	Graphite	Graphite	Graphite	Graphite
440	Gland flange	1.0460	1.0460	1.4571	1.4571
450	Rivet	1.1181	1.1181	A4-50	A4-50
460	Gland bolt	1.1181	1.1181	1.4571	1.4571
463	Washer	St	St	A4-50	A4-50
464	Hexagonal nut	1.1181	1.1181	A4-70	A4-70
510	▶ Yoke sleeve	1.0718	1.0718	1.0718	1.0718
530	Yoke nut	1.0718	1.0718	1.0718	1.0718
600	Handwheel	0.7040	0.7040	0.7040	0.7040
605	Key	1.0060	1.0060	1.0060	1.0060
610	Hexagonal nut	St	St	St	St
613	Screw pin	45H	45H	45H	45H
	▶ Spare parts				
	1) Welded on with Stellite				

Dimensions/mm and Kvs-values								
PN	DN	FL L	BW L	SM L	H	Stroke	D1	Kvs (m <sup>3</sup> /h)
<b>10-100</b>	<b>10</b>			105	205	27	140	
	<b>15</b>	130	130	105	205	27	140	14,2
	<b>20</b>	150	150	105	205	27	140	29,2
	<b>25</b>	160	160	105	205	27	140	39,5
	<b>32</b>	180	180	115	228	35	180	74,7
	<b>40</b>	240	240	115	228	35	180	95,3