

- Gate valves
- High pressure gate valve DSK 10
- 700 JT
- PD 10
- DN 200-350/300



Range of application

BW-Version Material	PD	Admissible operating pressure [bar] at design temperature [°C] ¹⁾																											
		120	150	200	250	300	350	400	410	420	430	440	450	460	470	480	490	500	510	520	530	540	550	560	570	580	590	600	
1.0460	10	100	100	94	82	74	62	50	48	45	43	41	38	34	28	23													
1.5415	10	120	120	112	103	88	85	82	82	81	81	80	79	79	78	78	68	53	40	32	25								
1.7335	10	120	120	120	118	109	103	97	96	95	94	92	91	91	90	89	89	81	68	54	44	35	28	23	18				
1.7383	10	120	120	120	120	118	109	103	102	101	99	98	97	96	95	94	89	79	69	61	53	46	40	34	30	26	22	20	

1) Operating temperature = design temperature minus temperature surcharge acc. to DIN regulations.

■ Gate valves ■ High pressure gate valve DSK 10 ■ 700 JT ■ PD 10 ■ DN 200-350/300

Standard features

- Split disc gate valve
- Die-forged body and bonnet
- Full bore
- Outside screw and yoke
- Non-turning, rising stem
- Yoke sleeve supported by needle bearing
- Pressure sealing bonnet acc. VGB-guidelines

Pressure and temperature ratings

- Pressure rating up to 120 bar
- Temperature rating up to 600 °C

Materials

- 1.0460
- 1.5415
- 1.7335
- 1.7383

Further materials on request.

Media

Depending on the material the gate valves are suitable for water, gas, oil and other non aggressive media

Fields of application

Chemical industries, power plants, ship building and other

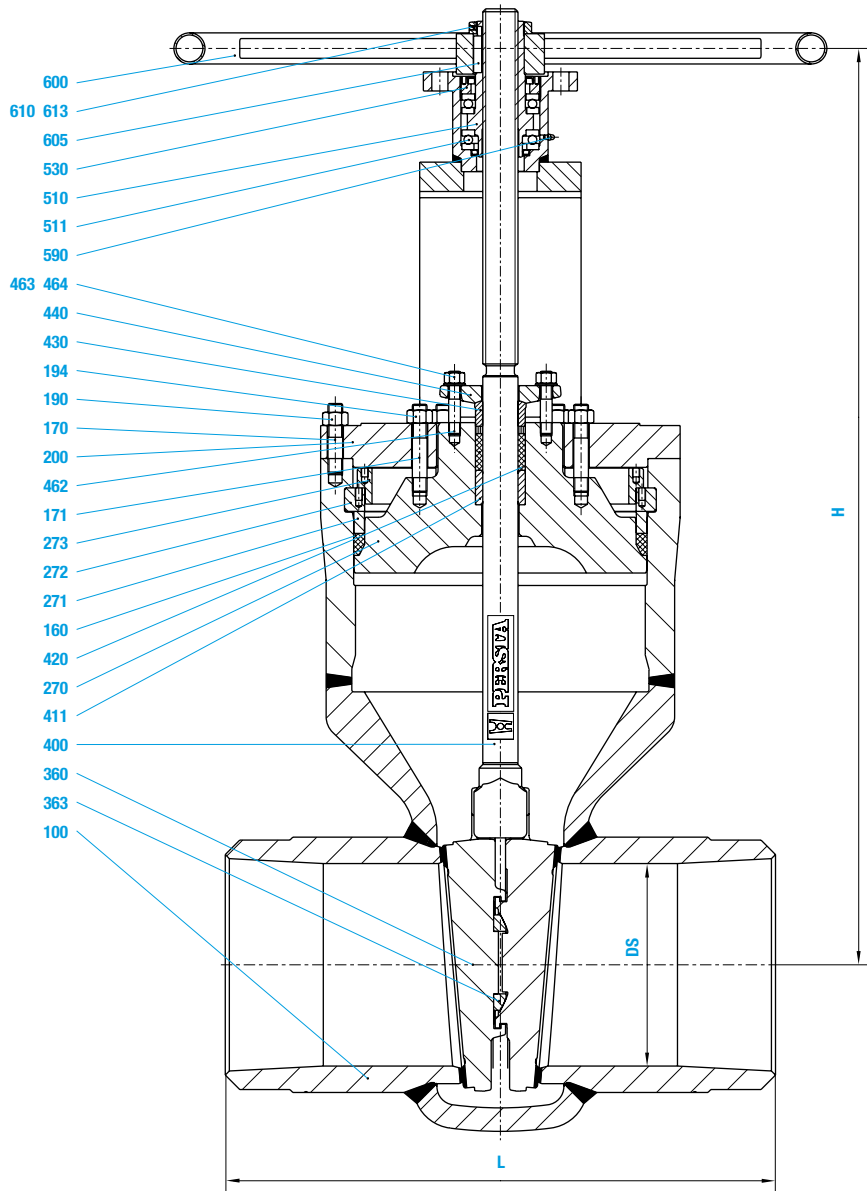
Design Highlights

- Die-forged body and bonnet
- Seats and wedge faced with stellite
- Full bore
- Gland ring and gland flange in two separate pieces
- Yoke sleeve supported by needle bearing
- Pressure sealing bonnet

Benefits

- Free from porosity and shrink holes compared to cast steel, robust and highly stressable
- Extremely resistant to wear
- No reduction in seat area
- Damage to the stem by irregular tightening of gland bolts is avoided
- Minimize the expenditure of effort when operating valve
- Best possible sealing function

▪ Gate valves ▪ High pressure gate valve DSK 10 ▪ 700 JT ▪ PD 10 ▪ DN 200-350/300



■ Gate valves ■ High pressure gate valve DSK 10 ■ 700 JT ■ PD 10 ■ DN 200-350/300

Materials					
Pos.	Component	1.0460 (21)	1.5415 (42)	1.7335 (44)	1.7383 (45)
100	Body welded on with	1.0460	1.7383/1.5415	1.7383/1.7335	1.7383
160	▶ Gasket	18/8	Stellite	Stellite	Stellite
170	▶ Stud	Graphite	Graphite	Graphite	Graphite
171	▶ Stud	1.7709	1.7709	1.7709	1.7709
190	▶ Hexagonal nut	1.7218	1.7218	1.7218	1.7218
194	▶ Hexagonal nut	1.7218	1.7218	1.7218	1.7218
200	▶ Bonnet	1.5415	1.5415	1.5415	1.5415
270	▶ Cover	1.0460	1.5415	1.7335	1.7383
271	▶ Ring	1.0460	1.5415	1.7335	1.7383
272	▶ Segmentring	1.0460	1.5415	1.7335	1.7383
273	▶ Cover	1.7383	1.5415	1.7335	1.7383
360	▶ Disc welded on with	1.7383	1.7383	1.7383	1.7383
363	▶ Pressure piece	Cr17	Stellite	Stellite	Stellite
400	▶ Stem	1.4122	1.4122	1.4122	1.4122
411	▶ Guide bushing	1.4021	1.4122	1.4122	1.4122
420	▶ Packing	1.8507	1.8507	1.8507	1.8507
430	▶ Gland ring	Graphite	Graphite	Graphite	Graphite
440	▶ Gland flange	1.0718	1.0718	1.0718	1.0718
462	▶ Stud	1.0460	1.0460	1.0460	1.0460
463	▶ Washer	1.7709	1.7709	1.7709	1.7709
464	▶ Hexagonal nut	St	St	St	St
510	▶ Yoke sleeve	1.7218	1.7218	1.7218	1.7218
511	▶ Bearing	CW 713 R	CW 713 R	CW 713 R	CW 713 R
530	▶ Screwing	WLS	WLS	WLS	WLS
590	▶ Grease nipple	1.0718	1.0718	1.0718	1.0718
600	▶ Handwheel	5.8	5.8	5.8	5.8
605	▶ Key	0.7040	0.7040	0.7040	0.7040
610	▶ Hexagonal nut	1.0060	1.0060	1.0060	1.0060
613	▶ Screw pin	St	St	St	St
		45H	45H	45H	45H
	▶ Spare parts				

Dimensions/mm					
DN	DS	L	H	Stroke	D
200	198	550	920	210	600
225 / 200	198	600	920	210	600
250 / 200	198	650	920	210	600
225 / 250	235	600	1130	265	720
250	235	650	1130	265	720
300 / 250	235	750	1130	265	720
300	276	750	1300	310	900
350 / 300	276	850	1300	310	900

Weights/kg and Kvs-values		
DN	BW	Kvs (m ³ /h)
200	260	4000
225 / 200	270	
250 / 200	280	
225 / 250	530	
250	550	6247
300 / 250	580	
300	850	8997
350 / 300	870	9257