

▪ Gate valves ▪ High pressure gate valve DSK 26 ▪ 700 JT ▪ PD 25 / PD 40 ▪ DN 65-300



		Range of application																																						
		Admissible operating pressure [bar] at design temperature [°C] <sup>1)</sup>																																						
BW-Version	Material	PD	20	50	100	120	150	200	250	300	350	400	410	420	430	440	450	460	470	480	490	500	510	520	530	540	550	560	570	580	590	600	610	620	630	640	650			
1.0460		25	250	250	250	250	250	235	206	184	155	125	119	113	107	102	96	85	71	58																				
1.5415		25	300	300	300	300	300	280	258	221	213	206	205	203	202	200	199	197	196	194	170	132	101	79	64															
1.7335		25	300	300	300	300	300	300	294	272	258	243	240	237	234	231	228	227	225	224	222	202	170	134	109	88	69	57	46											
1.7383		25	300	300	300	300	300	300	300	294	272	258	255	252	249	246	243	240	237	234	224	199	174	152	132	115	100	85	75	65	56	49								
1.6368		25	410	410	410	410	410	410	410	410	410	410	410	410	410	402	360	309	257	205	153	102																		
1.4903		25	425	425	425	425	425	425	425	425	425	425	425	425	425	425	425	425	425	418	383	372	344	316	290	263	238	213	191	169	150	132	115	100	85	75	64			
1.4901		25	425	425	425	425	425	425	425	425	425	425	425	425	425	425	425	425	425	425	423	397	370	345	320	297	275	252	230	208	186	166	147	127	110	95	82			

<sup>1)</sup> Operating temperature = design temperature minus temperature surcharge acc. to DIN regulations. For temperatures > 570 °C stem in 1.4980

		Range of application																																						
		Admissible operating pressure [bar] at design temperature [°C] <sup>1)</sup>																																						
BW-Version	Material	PD	20	50	100	120	150	200	250	300	350	400	410	420	430	440	450	460	470	480	490	500	510	520	530	540	550	560	570	580	590	600	610	620	630	640	650			
1.0460		40	400	400	400	400	400	377	330	295	248	200	190	181	172	162	153	135	113	93																				
1.5415		40	480	480	480	480	480	447	412	353	341	330	327	325	322	320	318	315	313	311	271	212	161	127	101															
1.7335		40	481	481	481	481	481	471	436	412	388	384	379	374	370	365	363	360	358	355	322	271	215	175	141	110	90	73												
1.7383		40	480	480	480	480	480	480	471	436	412	407	403	398	393	388	384	379	374	358	318	278	242	212	183	160	136	120	103	89	79									
1.6368		40	657	657	657	657	657	657	657	657	657	657	657	657	657	643	577	495	412	328	245	163																		
1.4903		40	680	680	680	680	680	680	680	680	680	680	680	680	680	680	680	680	680	669	612	596	551	506	464	421	381	341	306	271	240	212	183	160	136	120	103			
1.4901		40	680	680	680	680	680	680	680	680	680	680	680	680	680	680	680	680	680	680	677	635	592	552	512	475	440	404	369	334	298	265	235	204	176	152	131			

<sup>1)</sup> Operating temperature = design temperature minus temperature surcharge acc. to DIN regulations. For temperatures > 570 °C stem in 1.4980

■ **Gate valves** ■ High pressure gate valve DSK 26 ■ 700 JT ■ PD 25 / PD 40 ■ DN 65-300

**Standard features**

- Body made of forged steel
- Disc guided in groove
- Welded seat rings
- Outside screw and yoke
- Position indicator / Switch bracket
- Pressure sealing bonnet acc. to VGB-guidelines
- Yoke sleeve supported by needle bearing
- Possibility to add an actuator

**Pressure and temperature ratings**

- Pressure rating up to 680 bar
- Temperature rating up to 650 °C

**Materials**

- 1.0460
- 1.4901
- 1.4903
- 1.5415
- 1.6368
- 1.7335
- 1.7383

Further materials on request.

**Media**

Depending on the material the gate valves are suitable for water, gas, oil and other non aggressive media

**Fields of application**

High temperature steam and water, refining (catalytic reformers and hydrocrackers), petrochemical and chemical industries

**Design Highlights**

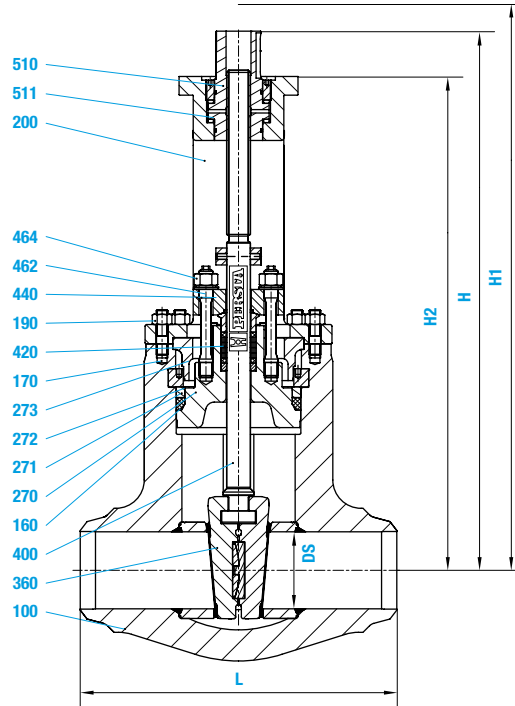
- Long bonnet
- Seats of the shut-off device and of the valve body generally faced with stellite
- Non-rising handwheel
- Non-turning, rising stem and burnished stem
- Outside located switch-bracket
- Hammer head connection between shut-off device and stem
- Gland ring and gland flange in two separate pieces
- Yoke sleeve supported at the top and at the bottom by means of needle bearings (axial type)

**Benefits**

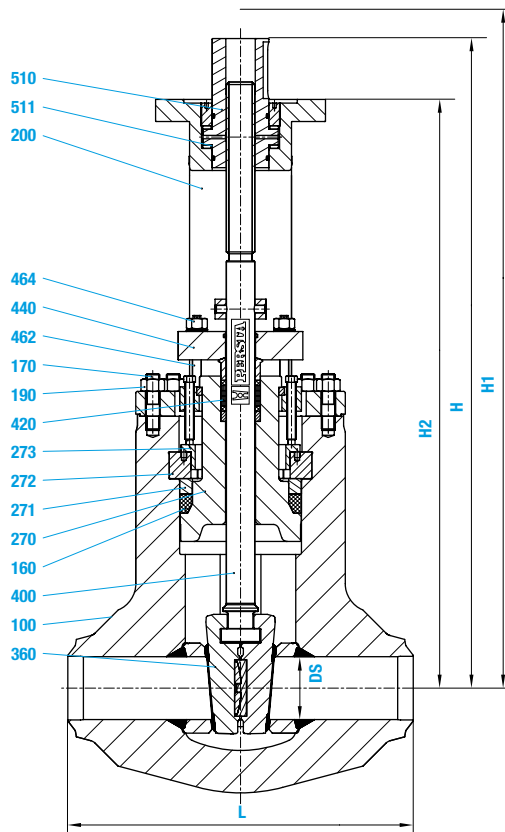
- To reduce temperatures
- Best possible sliding performance and minimum wear
- Small dimensions
- Minimum wear to the gland packing
- Protects against torsion of the stem
- The wedges are able to move parallel to the axis of the pipeline within the guiding groove. This protects the stem against bending moments
- Damage to the stem by irregular tightening of gland bolts is avoided
- Minimize the expenditure of effort when operating valve

▪ Gate valves ▪ High pressure gate valve DSK 26 ▪ 700 JT ▪ PD 25 / PD 40 ▪ DN 65-300

**DSK 26 ▪ PD 25 ▪ DN 80-300**



**DSK 26 ▪ PD 40 ▪ DN 65-250**



▪ Gate valves ▪ High pressure gate valve DSK 26 ▪ 700 JT ▪ PD 25 / PD 40 ▪ DN 65-300

Materials								
Pos.	Component	1.0460 (21)	1.5415 (42)	1.7335 (44)	1.7383 (45)	1.6368 (46)	1.4903 (63)	1.4901 (66)
100	Body welded on with	1.0460 Stellite	1.5415 Stellite	1.7335 Stellite	1.7383 Stellite	1.6368 Stellite	1.4903 Stellite	1.4901 Stellite
160	▶ Gasket	Graphite	Graphite	Graphite	Graphite	Graphite	Graphite	Graphite
170	▶ Stud	1.7709	1.7709	1.7709	1.7709	1.7709	1.7709	1.7709
190	Hexagonal nut	1.7218	1.7218	1.7218	1.7218	1.7218	1.7218	1.7218
200	Bonnet	1.5419	1.5419	1.5419	1.5419	1.5419	1.5419	1.5419
270	Cover	1.7383	1.7383	1.7383	1.7383	1.4903	1.4903	1.4901
271	Ring	1.7383	1.7383	1.7383	1.7383	1.4903	1.4903	1.4901
272	Segmentring	1.7383	1.7383	1.7383	1.7383	1.4903	1.4903	1.4901
273	Cover	1.5419	1.5419	1.5419	1.5419	1.5419	1.5419	1.5419
360	▶ Disc welded on with	1.7383 Stellite	1.7383 Stellite	1.7383 Stellite	1.7383 Stellite	1.4903 Stellite	1.4903 Stellite	1.4901 Stellite
400	▶ Stem	1.4122	1.4122	1.4122	1.4122	1.4923	1.4923	1.4980
400	▶ Stem from 570 °C					1.4980	1.4980	
420	▶ Packing	Graphite	Graphite	Graphite	Graphite	Graphite	Graphite	Graphite
440	Gland flange	1.7380	1.7380	1.7380	1.7380	1.7380	1.7380	1.7380
462	Stud	1.7709	1.7709	1.7709	1.7709	1.4923	1.4923	1.4923
464	Hexagonal nut	1.7218	1.7218	1.7218	1.7218	1.4923	1.4923	1.4923
510	▶ Yoke sleeve	CW713R	CW713R	CW713R	CW713R	CW713R	CW713R	CW713R
511	▶ Bearing	WLSst	WLSst	WLSst	WLSst	WLSst	WLSst	WLSst
	▶ Spare parts							

Dimensions/mm DSK 26.25										
DN	DS	L	H	H1	H2	Stroke	R/Stroke	H-Wheel	DIN/ISO 5210	
80	70	305	556	605	511	80	16	400	F10 (F14)	
100	90	406	658	725	606	105	18	450	F14	
125	111	483	781	861	720	130	21	500	F14	
150	136	559	952	1045	872	152	22		F16 (F14)	
200	178	711	1078	1270	1045	192	24		F25 (F16)	
250	222	864	1267	1515	1240	248	28		F30 (F25)	
300	263	770 (991)	1528	1815	1497	287	29		F30	

Weights/kg and Kvs-values			
DN	BW	Kvs (m <sup>3</sup> /h)	
80	72	505	
100	128	875	
125	208	1270	
150	380	1910	
200	615	3270	
250	1160	5080	
300	1835	7140	

Dimensions/mm DSK 26.40										
DN	DS	L	H	H1	H2	Stroke	R/Stroke	H-Wheel	DIN/ISO 5210	
65	50	330	518	594	466	66	19	400	F10 (F14)	
80	57	368	638	675	585	73	21	450	F14	
100	72	457	713	836	656	87	15	500	F14	
125	90	533	795	870	725	106	15		F16	
150	111	610	1090	1230	1040	133	15		F25 (F16)	
200	146	762	1195	1370	1165	174	18		F30 (F25)	
250	185	1270	1475	1685	1440	212	21		F35 (F30)	

Weights/kg and Kvs-values			
DN	BW	Kvs (m <sup>3</sup> /h)	
65	83	210	
80	136	310	
100	219	505	
125	411	835	
150	676	1485	
200	1188	2200	
250	2208	3530	