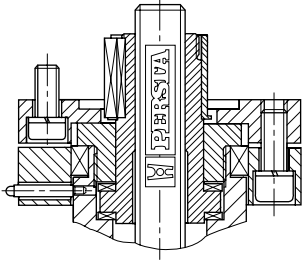
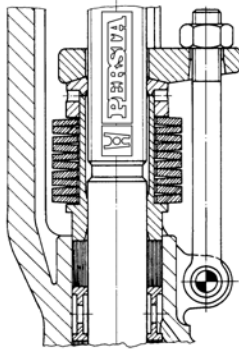


▪ Gate valves ▪ Variants

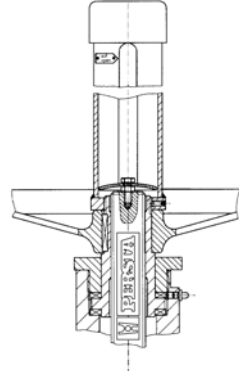
Universal valve head for mounting actuators



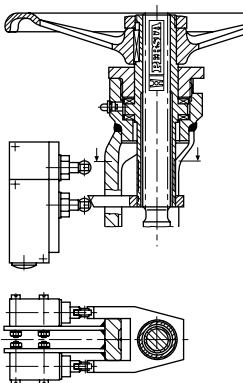
Stuffing box with central plate-spring tightening



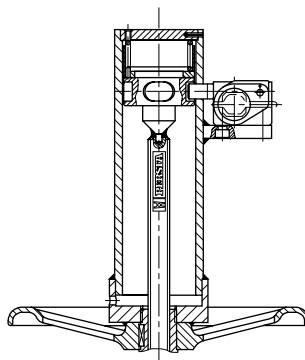
Position indicator / Stem protection cap



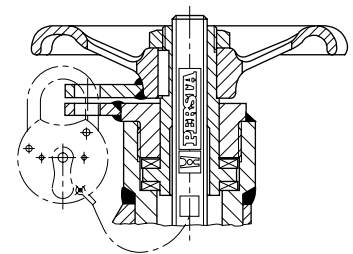
Limit switch actuation



PERLOC-system locking device

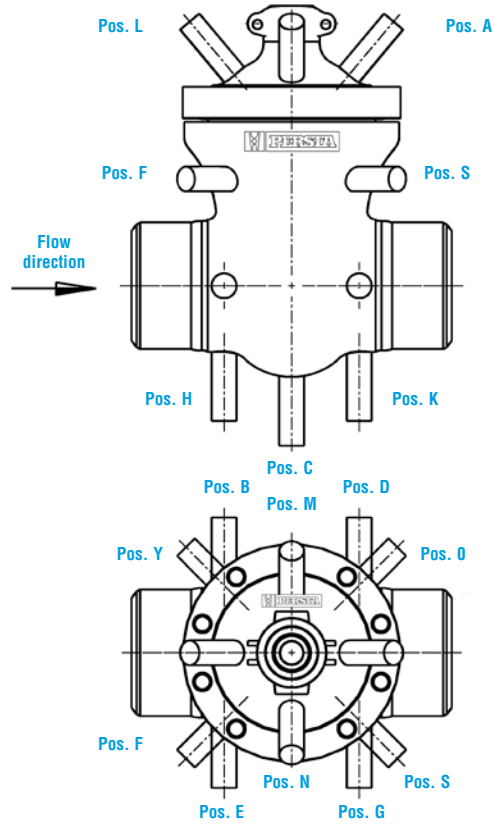
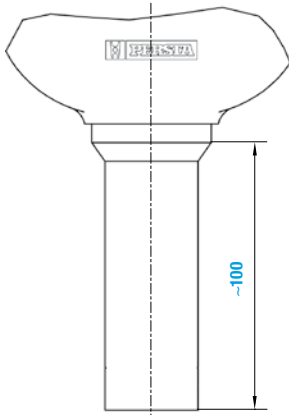


Interlocking device

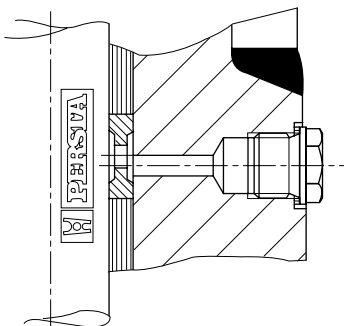


■ Gate valves ■ Variants

**Drainage stud,  
variable position**



**Water gland ring /  
leakage suction**



**Stuffing box extrusion**

