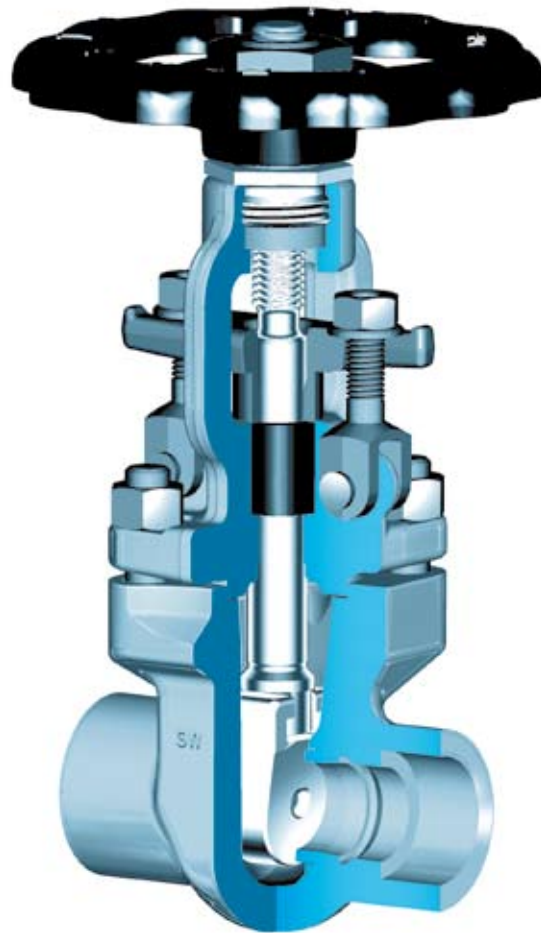


- Gate valves
- VALTRA Small gate valve
- 800/808 GJ
- Class 800 (PN 10-40)
- NPS 1/2 - 2 (DN 15-50)



Range of application

		Admissible operating pressure [bar] at design temperature [°C] ¹⁾												
Material	PN	-10	20	100	150	200	250	300	350	400	450	475	480	
1.0460	10-40	40	40	40	37	35	32	28	24	21	13	8	7	

1) Operating temperature = design temperature minus temperature surcharge acc. to DIN regulations.

		Admissible operating pressure [bar] at design temperature [°C] ¹⁾														
Material		-29	38	93,5	149	204,5	260	315,5	343,5	371	399	426,5	454,5	482	510	538
ASTM A 105	Class 800	136,2	136,2	124,1	120,7	116,6	110,0	100,7	98,6	97,9	92,7	75,9	49,3	31,7	19,0	9,7

1) Operating temperature = design temperature minus temperature surcharge acc. to DIN regulations.

▪ **Gate valves** ▪ VALTRA Small gate valve ▪ 800/808 GJ ▪ Class 800 (PN 10-40) ▪ NPS 1/2 - 2 (DN 15-50)

Standard features

- Die-forged body and bonnet
- Full bore
- Wedge
- Outside screw and yoke
- Non-turning rising stem
- Available with flange, socket and butt-weld ends

Pressure and temperature ratings

- Pressure rating up to 136,2 bar
- Temperature rating from -10 °C up to 538 °C

Materials

- 1.0460
- ASTM A 105

Further materials on request.

Media

Depending on the material the gate valves are suitable for water, gas, oil and other non aggressive media

Fields of application

Chemical industries, power plants, ship building and other

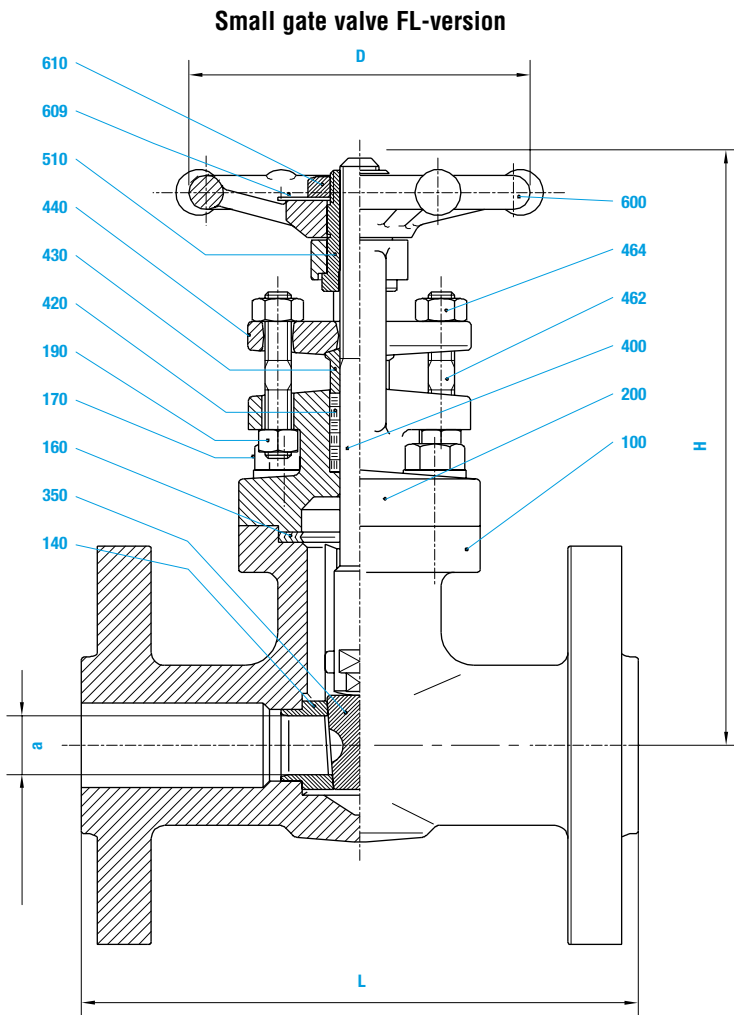
Design Highlights

- Die-forged body and bonnet
- Wedge made of stellite
- Gasket, male and female face
- Full bore
- Non-turning, rising stem

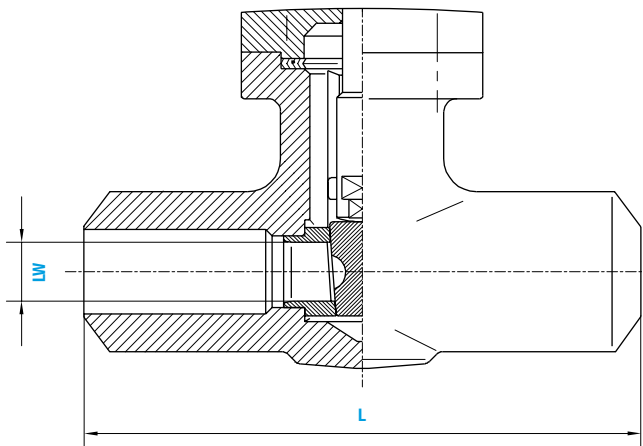
Benefits

- Free from porosity and shrink holes
- Extremely resistant to wear
- Blow out protection
- No reduction in seat area
- Minimal wear of the gland-packing

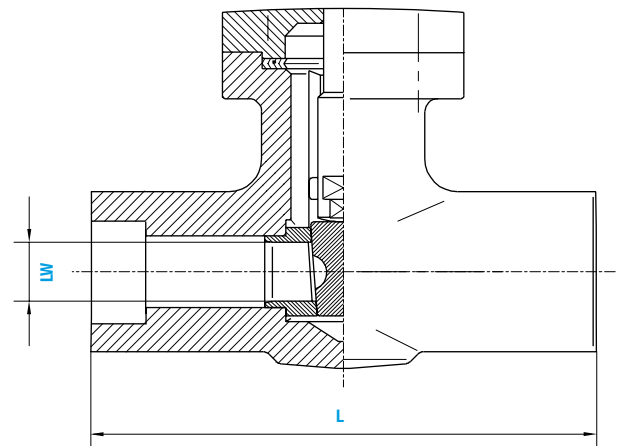
▪ Gate valves ▪ VALTRA Small gate valve ▪ 800/808 GJ ▪ Class 800 (PN 10-40) ▪ NPS 1/2 - 2 (DN 15-50)



BW-version



Socket welding version



■ Gate valves ■ VALTRA Small gate valve ■ 800/808 GJ ■ Class 800 (PN 10-40) ■ NPS 1/2 - 2 (DN 15-50)

Materials			
Pos.	Component	1.0460 (21) FL	ASTM A 105 (B1) BW / SM
100	Body	1.0460	ASTM A 105
140	Seat ring	ASTM A 276 type 410	ASTM A 276 type 410
160	▶ Gasket	Spiral-Grafit	Spiral-Grafit
170	Stud	AISI 410	AISI 410
190	Hexagonal nut	ASTM A 194 2H	ASTM A 194 2H
200	Bonnet	1.0460	ASTM A 105
350	Wedge	ASTM A 182 F6	ASTM A 182 F6
400	▶ Stem	ASTM A 276 type 410	ASTM A 276 type 410
420	▶ Packing	Graphite	Graphite
430	Gland ring	ASTM A 276 type 410	ASTM A 276 type 410
440	Gland flange	ASTM A 105	ASTM A 105
462	Stud	AISI 410	AISI 410
464	Hexagonal nut	ASTM A 194 2H	ASTM A 194 2H
510	▶ Yoke sleeve	ASTM A 582 type 416	ASTM A 582 type 416
600	Handwheel	St	St
609	Washer	St	St
610	Hexagonal nut	St	St

▶ Spare parts

Dimensions/mm				
808 GJ NPS	L	H	D	LW
1/2	90	152	90	14,0
3/4	110	182	110	19,0
1	127	214	110	24,0
1 1/4	127	247	130	30,0
1 1/2	127	270	130	37,0
2	150	333	180	48,0
800 GJ NPS	L	H	D	LW
1/2	80	145	70	10,0
3/4	90	152	90	14,0
1	110	182	110	19,0
1 1/4	127	214	110	24,0
1 1/2	127	247	130	30,0
2	127	270	130	37,0
808 GJ DN	L	H	D	PN 10-40 a
15	130	152	90	14,0
20	150	182	110	18,0
25	160	214	110	24,0
40	240	270	130	36,5
50	250	333	180	48,0

Weights/kg and Kvs-values		
808 GJ NPS	SM	Kvs (m ³ /h)
1/2	2,2	14,2
3/4	3,5	25,2
1	5,0	37,2
1 1/4	6,5	61,0
1 1/2	8,5	95,3
2	17,0	149,0
800 GJ NPS	SM	
1/2	1,6	7,2
3/4	2,2	14,3
1	3,5	26,3
1 1/4	5,0	40,9
1 1/2	6,5	63,9
2	8,5	100,0
808 GJ DN	FL	
15	4,5	14,2
20	6,5	25,2
25	7,9	37,2
40	13,0	95,3
50	24,5	149,0