

- **Swing check valves** ▪ VALTRA Swing check valve ▪ 640 AA ▪ PN 10-40 ▪ DN 300-800



Range of application

Admissible operating pressure [bar] at design temperature [°C] ¹⁾

Material	PN	-10	20	100	120	200	250	300	350	400
P265GH	10	10	10	10	10	9	8	7	6	5
	16	16	16	16	16	14	13	11	10	8
	25	25	25	25	25	22	20	17	16	13
	40	40	40	40	40	35	32	28	24	21

Operating temperature = design temperature minus temperature surcharge acc. to DIN regulations.

▪ **Swing check valves** ▪ VALTRA Swing check valve ▪ 640 AA ▪ PN 10-40 ▪ DN 300-800

Standard features

- Disc with inside shaft
- Body pressed-plate welding construction
- Available with flange and buttweld ends

Pressure and temperature ratings

- Pressure rating up to 40 bar
- Temperature rating up to 400 °C

Material

- P265GH

Further materials on request.

Media

Depending on the material swing check valves are suitable for water, gas, oil and other non aggressive media

Fields of application

Chemical industries, power plants, ship building and other

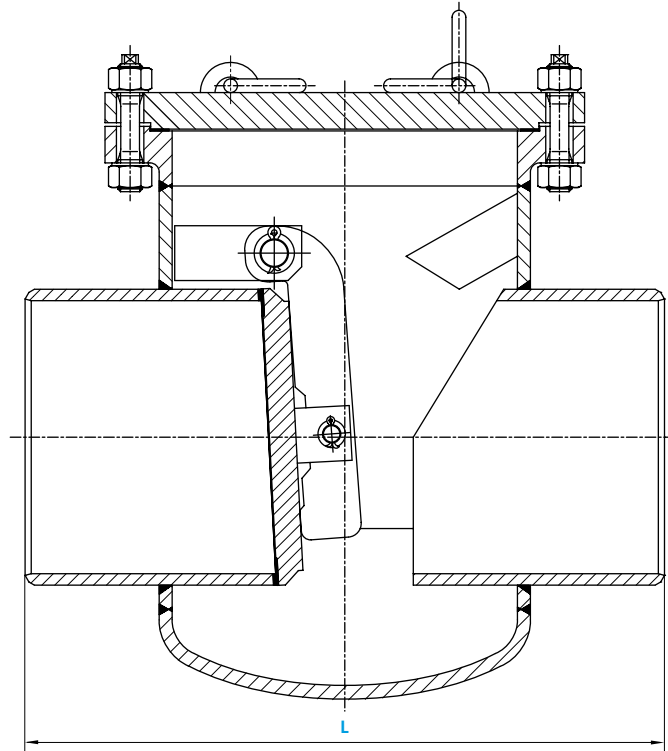
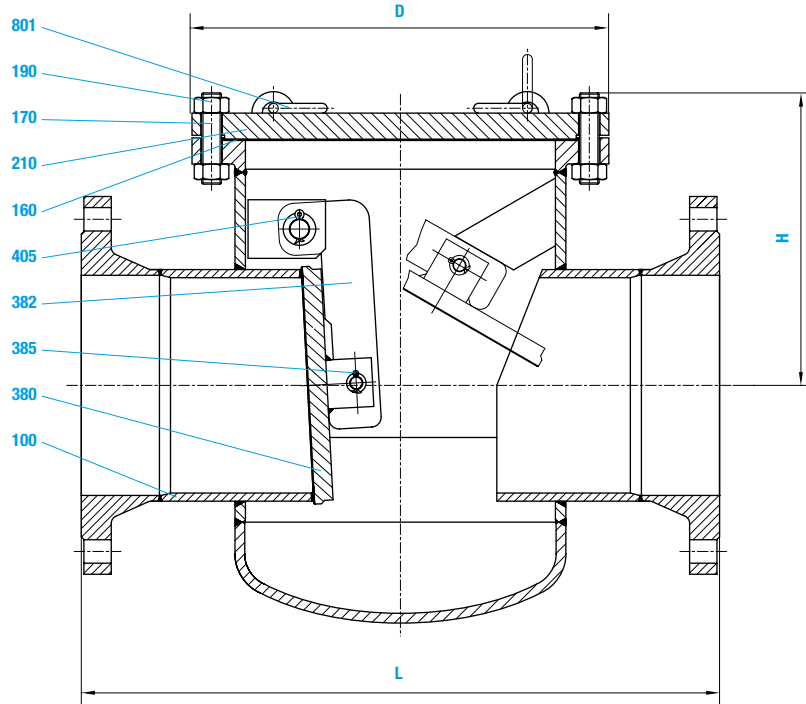
Design Highlights

- Body- and disc seat welded on
- Disc with flexible shaft at the hinge
- Lever rests on the hinge pin by means of a separate bushing
- Inside shaft

Benefits

- Extremely resistant to wear
- Optimum alignment of the disc to the body seat
- Improved resistance wear by means of an optimal material selection
- Limited leakage due to less sealings

▪ **Swing check valves** ▪ VALTRA Swing check valve ▪ 640 AA ▪ PN 10-40 ▪ DN 300-800



■ **Swing check valves** ■ VALTRA Swing check valve ■ 640 AA ■ PN 10-40 ■ DN 300-800

Materials		
Pos.	Component	P265GH (22)
100	Body welded on with	P265GH
160	▶ Gasket	X20CrMo171
170	Tension screw	1.4541 / Graphite
190	Hexagonal nut	1.7158
210	Bonnet	1.7158
380	▶ Disc welded on with	P265GH
382	▶ Hinge	X8CrTi18
385	▶ Pint	S235JRG2
405	▶ Hinge pin	A2-70
801	Lifting eye bolt	1.4021
	▶ Spare parts	S355J2G3

Further materials on request.

Dimensions/mm								
DN	PN 10-16	PN 25-40	PN 10-16	PN 25	PN 40	PN 10-16	PN 25	PN 40
	L	L	H	H	H	D	D	D
300	700	850	385	415	435	525		525
350	800	980	430	450	485	630		640
400	900	1100	500	540	595	745		755
500	1100	1250	585	615	670	870	870	890
600	1300	1450				1040		1040
700	1500	1650						
800	1700	1850						

Weights/kg and Kvs-values									
DN	PN 10	PN 16	PN 25	PN 40	PN 10	PN 16	PN 25	PN 40	Kvs (m ³ /h)
	FL	FL	FL	FL	BW	BW	BW	BW	
300	275	285	350	430	255	255	305	355	3600
350	380	395	475	550	335	345	395	445	4900
400	560	575	735	895	525	525	365	745	6400
500	910	945	1180	1300	860	860	1040	1125	9996
600									14395
700									19593
800									25591