

▪ Gate valves ▪ Gate valve ▪ 700 HJ/JJ (GA) ▪ PN 10-40 ▪ PN 10-100 ▪ DN 50-150



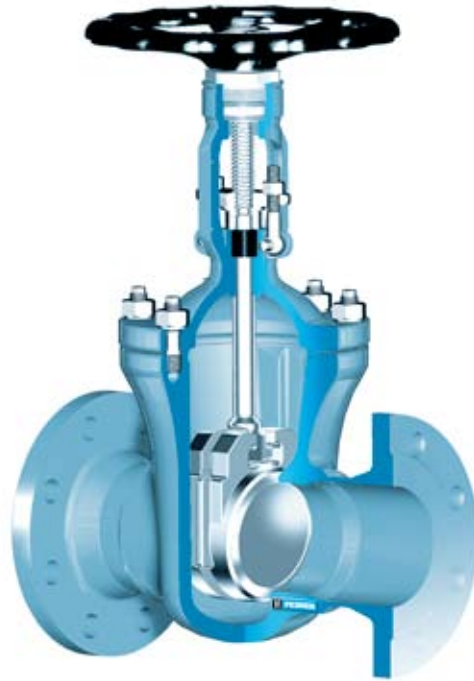
**Pressure rate table acc. DIN 2401**

Admissible operating pressure [bar] at design temperature [°C] <sup>1)</sup>

| Material                      | PN                | -60   | -10   | 20    | 120   | 150   | 200   | 250  | 300  | 350  | 400  | 425  | 450  | 475  | 500  | 510  | 520  | 530  | 540 | 550 |  |
|-------------------------------|-------------------|-------|-------|-------|-------|-------|-------|------|------|------|------|------|------|------|------|------|------|------|-----|-----|--|
| <b>1.0619</b>                 | 16                | 16,0  | 16,0  | 16,0  | 15,0  | 14,0  | 13,0  | 11,0 | 10,0 | 8,0  |      |      |      |      |      |      |      |      |     |     |  |
|                               | 25                | 25,0  | 25,0  | 25,0  | 23,0  | 22,0  | 20,0  | 17,0 | 16,0 | 13,0 |      |      |      |      |      |      |      |      |     |     |  |
|                               | 40                | 40,0  | 40,0  | 40,0  | 37,0  | 35,0  | 32,0  | 28,0 | 24,0 | 21,0 |      |      |      |      |      |      |      |      |     |     |  |
| <b>1.0460</b>                 | 10 <sup>2)</sup>  | 10,0  | 10,0  | 10,0  | 9,6   | 8,8   | 8,1   | 6,9  | 6,3  | 5,0  |      |      |      |      |      |      |      |      |     |     |  |
|                               | 16                | 16,0  | 16,0  | 16,0  | 15,3  | 14,0  | 13,0  | 11,0 | 10,0 | 8,0  |      |      |      |      |      |      |      |      |     |     |  |
|                               | 25                | 25,0  | 25,0  | 25,0  | 23,9  | 22,0  | 20,0  | 17,0 | 16,0 | 13,0 |      |      |      |      |      |      |      |      |     |     |  |
|                               | 40                | 40,0  | 40,0  | 40,0  | 38,1  | 35,0  | 32,0  | 28,0 | 24,0 | 21,0 |      |      |      |      |      |      |      |      |     |     |  |
|                               | 63                | 63,0  | 63,0  | 63,0  | 58,1  | 50,0  | 45,0  | 40,0 | 36,0 | 32,0 |      |      |      |      |      |      |      |      |     |     |  |
| 100                           | 100,0             | 100,0 | 100,0 | 92,5  | 80,0  | 70,0  | 60,0  | 56,0 | 50,0 |      |      |      |      |      |      |      |      |      |     |     |  |
| <b>1.0566</b> <sup>3)4)</sup> | 10 <sup>2)</sup>  | 10,0  | 10,0  | 10,0  | 10,0  | 9,0   | 8,0   | 7,0  |      |      |      |      |      |      |      |      |      |      |     |     |  |
|                               | 16 <sup>2)</sup>  | 16,0  | 16,0  | 16,0  | 16,0  | 15,0  | 14,0  | 13,0 | 11,0 |      |      |      |      |      |      |      |      |      |     |     |  |
|                               | 25 <sup>2)</sup>  | 25,0  | 25,0  | 25,0  | 25,0  | 24,0  | 22,0  | 20,0 | 17,0 |      |      |      |      |      |      |      |      |      |     |     |  |
|                               | 40 <sup>2)</sup>  | 40,0  | 40,0  | 40,0  | 40,0  | 39,0  | 35,0  | 31,0 | 28,0 |      |      |      |      |      |      |      |      |      |     |     |  |
|                               | 63 <sup>2)</sup>  | 63,0  | 63,0  | 63,0  | 63,0  | 61,0  | 55,0  | 49,0 | 44,0 |      |      |      |      |      |      |      |      |      |     |     |  |
|                               | 100 <sup>2)</sup> | 100,0 | 100,0 | 100,0 | 100,0 | 96,0  | 88,0  | 79,0 | 70,0 |      |      |      |      |      |      |      |      |      |     |     |  |
| <b>1.5415</b>                 | 10 <sup>2)</sup>  | 10,0  | 10,0  | 10,0  | 10,0  | 10,0  | 10,0  | 8,8  | 8,0  | 7,6  | 7,2  | 6,8  |      |      |      |      |      |      |     |     |  |
|                               | 16 <sup>2)</sup>  | 16,0  | 16,0  | 16,0  | 16,0  | 16,0  | 16,0  | 14,1 | 12,8 | 12,2 | 11,5 | 10,9 |      |      |      |      |      |      |     |     |  |
|                               | 25                | 25,0  | 25,0  | 25,0  | 25,0  | 25,0  | 25,0  | 22,0 | 20,0 | 19,0 | 18,0 | 17,0 |      |      |      |      |      |      |     |     |  |
|                               | 40                | 40,0  | 40,0  | 40,0  | 40,0  | 40,0  | 40,0  | 35,0 | 31,0 | 30,0 | 29,0 | 28,0 |      |      |      |      |      |      |     |     |  |
|                               | 63                | 63,0  | 63,0  | 63,0  | 63,0  | 63,0  | 63,0  | 56,0 | 50,0 | 47,0 | 46,0 | 45,0 |      |      |      |      |      |      |     |     |  |
| 100                           | 100,0             | 100,0 | 100,0 | 100,0 | 100,0 | 100,0 | 87,0  | 78,0 | 74,0 | 72,0 | 70,0 |      |      |      |      |      |      |      |     |     |  |
| <b>1.7335</b>                 | 10 <sup>2)</sup>  | 10,0  | 10,0  | 10,0  | 10,0  | 10,0  | 10,0  | 9,6  | 9,2  | 8,8  | 8,4  | 8,0  | 7,2  | 6,0  | 4,8  | 3,6  |      |      |     |     |  |
|                               | 16 <sup>2)</sup>  | 16,0  | 16,0  | 16,0  | 16,0  | 16,0  | 16,0  | 15,4 | 14,7 | 14,1 | 13,4 | 12,8 | 11,5 | 9,6  | 7,7  | 5,8  |      |      |     |     |  |
|                               | 25                | 25,0  | 25,0  | 25,0  | 25,0  | 25,0  | 25,0  | 24,0 | 23,0 | 22,0 | 21,0 | 20,0 | 18,0 | 15,0 | 12,0 | 9,0  |      |      |     |     |  |
|                               | 40                | 40,0  | 40,0  | 40,0  | 40,0  | 40,0  | 40,0  | 38,0 | 36,0 | 35,0 | 34,0 | 33,0 | 29,0 | 24,0 | 19,0 | 15,0 |      |      |     |     |  |
|                               | 63                | 63,0  | 63,0  | 63,0  | 63,0  | 63,0  | 63,0  | 61,0 | 58,0 | 57,0 | 56,0 | 53,0 | 47,0 | 40,0 | 32,0 | 25,0 |      |      |     |     |  |
|                               | 100               | 100,0 | 100,0 | 100,0 | 100,0 | 100,0 | 100,0 | 95,0 | 91,0 | 89,0 | 87,0 | 82,0 | 74,0 | 62,0 | 49,0 | 38,0 |      |      |     |     |  |
| <b>1.7383</b>                 | 10 <sup>2)</sup>  | 10,0  | 10,0  | 10,0  | 10,0  | 10,0  | 10,0  | 9,5  | 9,1  | 8,9  | 8,7  | 8,3  | 7,4  | 6,3  | 5,0  | 4,4  | 3,8  | 3,3  |     |     |  |
|                               | 16 <sup>2)</sup>  | 16,0  | 16,0  | 16,0  | 16,0  | 16,0  | 16,0  | 15,2 | 14,6 | 14,2 | 13,9 | 13,2 | 11,8 | 10,0 | 7,9  | 7,0  | 6,0  | 5,2  |     |     |  |
|                               | 25 <sup>2)</sup>  | 25,0  | 25,0  | 25,0  | 25,0  | 25,0  | 25,0  | 23,8 | 22,8 | 22,3 | 21,8 | 20,6 | 18,4 | 15,6 | 12,4 | 10,9 | 9,4  | 8,1  |     |     |  |
|                               | 40 <sup>2)</sup>  | 40,0  | 40,0  | 40,0  | 40,0  | 40,0  | 40,0  | 38,0 | 36,4 | 35,6 | 34,8 | 33,0 | 29,5 | 25,0 | 19,8 | 17,4 | 15,1 | 13,0 |     |     |  |
|                               | 63 <sup>2)</sup>  | 63,0  | 63,0  | 63,0  | 63,0  | 63,0  | 63,0  | 60,8 | 58,2 | 57,0 | 55,7 | 52,8 | 47,2 | 40,0 | 31,7 | 27,8 | 24,2 | 20,8 |     |     |  |
|                               | 100 <sup>2)</sup> | 100,0 | 100,0 | 100,0 | 100,0 | 100,0 | 100,0 | 95,0 | 91,0 | 89,0 | 87,0 | 82,5 | 73,8 | 62,5 | 49,5 | 43,5 | 37,8 | 32,5 |     |     |  |

1) Operating temperature = design temperature minus temperature surcharge acc. to DIN regulations.  
 2) Pressure rating not applicable in design code  
 3) In case of stainless steel bolts (DIN material code A4-70) with > 8 x d bolt length the strength characteristics acc. to table 6 of DIN 267 part 11 have been considered.  
 4) At temperature > 50 °C only applicable for short time service.

■ Gate valves ■ Gate valve ■ 700 HJ/JJ (GA) ■ PN 10-40 ■ PN 10-100 ■ DN 50-150



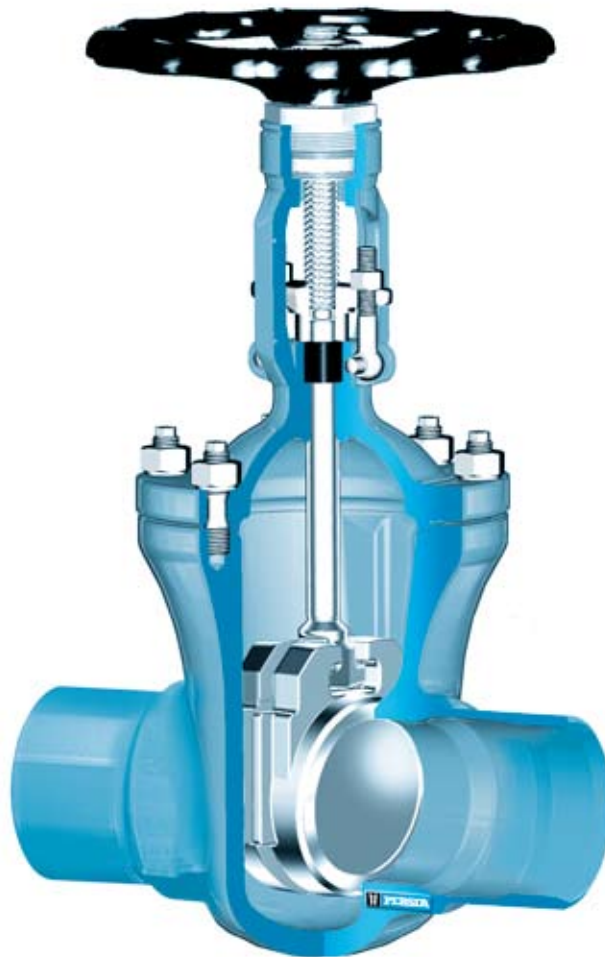
**Pressure rate table acc. DIN EN 1092-1**

Admissible operating pressure [bar] at design temperature [°C] <sup>1)</sup>

| Material      | PN   | -10  | 20   | 50   | 100  | 150  | 200  | 250 | 300 | 350 | 400 | 450 | 460 | 470 | 480 | 490 | 500 | 510 | 520 | 530 | 540 | 550 | 560 | 570 | 580 | 590 | 600 |  |
|---------------|------|------|------|------|------|------|------|-----|-----|-----|-----|-----|-----|-----|-----|-----|-----|-----|-----|-----|-----|-----|-----|-----|-----|-----|-----|--|
| <b>1.0619</b> | 16   | 160  | 160  | 160  | 148  | 140  | 133  | 121 | 110 | 102 | 95  | 52  |     |     |     |     |     |     |     |     |     |     |     |     |     |     |     |  |
|               | 25   | 250  | 250  | 250  | 232  | 220  | 208  | 190 | 172 | 160 | 148 | 82  |     |     |     |     |     |     |     |     |     |     |     |     |     |     |     |  |
|               | 40   | 400  | 400  | 400  | 371  | 352  | 333  | 304 | 276 | 257 | 238 | 131 |     |     |     |     |     |     |     |     |     |     |     |     |     |     |     |  |
| <b>1.0460</b> | 10   | 100  | 100  | 100  | 92   | 88   | 83   | 76  | 69  | 64  | 59  | 32  |     |     |     |     |     |     |     |     |     |     |     |     |     |     |     |  |
|               | 16   | 160  | 160  | 160  | 148  | 140  | 133  | 121 | 110 | 102 | 95  | 52  |     |     |     |     |     |     |     |     |     |     |     |     |     |     |     |  |
|               | 25   | 250  | 250  | 250  | 232  | 220  | 208  | 190 | 172 | 160 | 148 | 82  |     |     |     |     |     |     |     |     |     |     |     |     |     |     |     |  |
|               | 40   | 400  | 400  | 400  | 371  | 352  | 333  | 304 | 276 | 257 | 238 | 131 |     |     |     |     |     |     |     |     |     |     |     |     |     |     |     |  |
|               | 63   | 630  | 630  | 630  | 585  | 555  | 525  | 480 | 435 | 405 | 375 | 207 |     |     |     |     |     |     |     |     |     |     |     |     |     |     |     |  |
| 100           | 1000 | 1000 | 1000 | 928  | 880  | 833  | 761  | 690 | 642 | 595 | 328 |     |     |     |     |     |     |     |     |     |     |     |     |     |     |     |     |  |
| <b>1.5415</b> | 10   | 100  | 100  | 100  | 100  | 100  | 100  | 97  | 85  | 80  | 74  | 69  | 64  | 59  | 54  | 49  | 44  | 35  | 28  | 22  |     |     |     |     |     |     |     |  |
|               | 16   | 160  | 160  | 160  | 160  | 160  | 160  | 156 | 137 | 129 | 119 | 110 | 102 | 94  | 86  | 78  | 70  | 56  | 44  | 35  |     |     |     |     |     |     |     |  |
|               | 25   | 250  | 250  | 250  | 250  | 250  | 250  | 244 | 214 | 202 | 186 | 172 | 160 | 147 | 135 | 123 | 110 | 88  | 70  | 55  |     |     |     |     |     |     |     |  |
|               | 40   | 400  | 400  | 400  | 400  | 400  | 400  | 390 | 342 | 323 | 299 | 276 | 256 | 236 | 216 | 197 | 177 | 140 | 112 | 89  |     |     |     |     |     |     |     |  |
|               | 63   | 630  | 630  | 630  | 630  | 630  | 630  | 615 | 540 | 510 | 471 | 435 | 403 | 372 | 341 | 310 | 279 | 222 | 177 | 141 |     |     |     |     |     |     |     |  |
| 100           | 1000 | 1000 | 1000 | 1000 | 1000 | 1000 | 976  | 857 | 809 | 747 | 690 | 640 | 591 | 542 | 492 | 442 | 352 | 280 | 223 |     |     |     |     |     |     |     |     |  |
| <b>1.7335</b> | 10   | 100  | 100  | 100  | 100  | 100  | 100  | 100 | 95  | 90  | 84  | 80  | 76  | 72  | 68  | 65  | 55  | 44  | 37  | 29  | 23  | 19  | 15  |     |     |     |     |  |
|               | 16   | 160  | 160  | 160  | 160  | 160  | 160  | 160 | 152 | 144 | 134 | 128 | 121 | 115 | 108 | 104 | 88  | 71  | 59  | 46  | 37  | 30  | 25  |     |     |     |     |  |
|               | 25   | 250  | 250  | 250  | 250  | 250  | 250  | 250 | 238 | 225 | 210 | 200 | 190 | 180 | 170 | 163 | 138 | 111 | 93  | 72  | 58  | 47  | 39  |     |     |     |     |  |
|               | 40   | 400  | 400  | 400  | 400  | 400  | 400  | 400 | 380 | 360 | 337 | 320 | 304 | 288 | 272 | 260 | 220 | 179 | 148 | 116 | 93  | 76  | 62  |     |     |     |     |  |
|               | 63   | 630  | 630  | 630  | 630  | 630  | 630  | 630 | 600 | 567 | 531 | 505 | 479 | 454 | 428 | 411 | 348 | 282 | 234 | 183 | 147 | 120 | 99  |     |     |     |     |  |
| 100           | 1000 | 1000 | 1000 | 1000 | 1000 | 1000 | 1000 | 952 | 900 | 842 | 802 | 761 | 720 | 680 | 652 | 552 | 447 | 371 | 290 | 233 | 190 | 157 |     |     |     |     |     |  |
| <b>1.7383</b> | 10   | 100  | 100  | 100  | 100  | 100  | 100  | 100 | 97  | 92  | 88  | 83  | 78  | 73  | 69  | 64  | 56  | 49  | 42  | 37  | 32  | 27  | 24  | 20  | 18  | 16  |     |  |
|               | 16   | 160  | 160  | 160  | 160  | 160  | 160  | 160 | 156 | 148 | 140 | 133 | 125 | 118 | 110 | 102 | 89  | 78  | 68  | 59  | 51  | 44  | 38  | 33  | 28  | 25  |     |  |
|               | 25   | 250  | 250  | 250  | 250  | 250  | 250  | 250 | 244 | 232 | 220 | 208 | 196 | 184 | 172 | 160 | 140 | 122 | 107 | 92  | 80  | 69  | 60  | 52  | 45  | 40  |     |  |
|               | 40   | 400  | 400  | 400  | 400  | 400  | 400  | 400 | 390 | 371 | 352 | 333 | 314 | 295 | 276 | 257 | 224 | 196 | 171 | 148 | 129 | 110 | 97  | 83  | 72  | 64  |     |  |
|               | 63   | 630  | 630  | 630  | 630  | 630  | 630  | 630 | 615 | 585 | 555 | 525 | 495 | 465 | 435 | 405 | 354 | 309 | 270 | 234 | 204 | 174 | 153 | 132 | 114 | 102 |     |  |
| 100           | 1000 | 1000 | 1000 | 1000 | 1000 | 1000 | 1000 | 976 | 928 | 880 | 833 | 785 | 738 | 690 | 642 | 561 | 490 | 428 | 371 | 323 | 276 | 242 | 209 | 180 | 161 |     |     |  |

1) Operating temperature = design temperature minus temperature surcharge acc. to DIN regulations.

▪ Gate valves ▪ Gate valve ▪ 700 HJ/JJ (GA) ▪ PN 10-40 ▪ PN 10-100 ▪ DN 50-150



**Pressure rate table only valid for buttweld ends**

|                        |    | Admissible operating pressure [bar] at design temperature [°C] <sup>1)</sup> |      |      |      |      |      |      |      |      |      |      |      |     |     |     |     |     |     |     |     |     |     |     |     |     |     |     |     |     |     |  |
|------------------------|----|--|------|------|------|------|------|------|------|------|------|------|------|-----|-----|-----|-----|-----|-----|-----|-----|-----|-----|-----|-----|-----|-----|-----|-----|-----|-----|--|
| Material               | PD | -60  | -10  | 20   | 100  | 150  | 200  | 250  | 300  | 350  | 400  | 410  | 420  | 430 | 440 | 450 | 460 | 470 | 480 | 490 | 500 | 510 | 520 | 530 | 540 | 550 | 560 | 570 | 580 | 590 | 600 |  |
| 1.0460                 | 10 |  | 1000 | 1000 | 1000 | 1000 | 940  | 820  | 740  | 642  | 595  | 480  | 450  | 430 | 410 | 380 | 340 | 280 | 230 |     |     |     |     |     |     |     |     |     |     |     |     |  |
| 1.0566 <sup>2)3)</sup> | 10 | 1000   | 1021 | 1021 | 1000 | 960  | 880  | 790  | 700  |      |      |      |      |     |     |     |     |     |     |     |     |     |     |     |     |     |     |     |     |     |     |  |
| 1.5415                 | 10 |  | 1200 | 1200 | 1200 | 1200 | 1120 | 1030 | 880  | 850  | 820  | 820  | 810  | 810 | 800 | 790 | 790 | 780 | 780 | 680 | 530 | 400 | 320 | 250 |     |     |     |     |     |     |     |  |
| 1.7335                 | 10 |  | 1200 | 1200 | 1200 | 1200 | 1200 | 1180 | 1090 | 1030 | 970  | 960  | 950  | 940 | 920 | 910 | 910 | 900 | 890 | 890 | 810 | 680 | 540 | 440 | 350 | 280 | 230 | 180 |     |     |     |  |
| 1.7383                 | 10 |  | 1200 | 1200 | 1200 | 1200 | 1200 | 1200 | 1180 | 1090 | 1030 | 1020 | 1010 | 990 | 980 | 970 | 960 | 950 | 940 | 890 | 790 | 690 | 610 | 530 | 460 | 400 | 340 | 300 | 260 | 220 | 200 |  |

1) Operating temperature = design temperature minus temperature surcharge acc. to DIN regulations.  
 2) At temperatures > 50 °C only applicable for short time service.  
 3) In case of stainless steel bolts (DIN material code A4-70) with > 8 x d bolt length the strength characteristics acc. to table 6 of DIN 267 part 11 have been considered.

▪ **Gate valves** ▪ **Gate valve** ▪ **700 HJ/JJ (GA)** ▪ **PN 10-40** ▪ **PN 10-100** ▪ **DN 50-150**

**Standard features**

- Split disc gate valve / 2 disc-design = Type JJ
- Wedge gate valve / Flexible wedge design = Type HJ
- Die-forged body and bonnet
- Full bore, exception DN 65/50 and DN 125/100
- Outside screw and yoke
- Non turning, rising stem
- Yoke sleeve
- Available with flange and buttweld ends

**Option standard features GA**

- Wedge gate valve / Flexible wedge design
- Inside screw
- Non-rising turning stem

**Pressure and temperature ratings**

- Pressure rating up to 100 bar
- Acc. to PERSTA PD 10 up to 120 bar
- Temperature rating up to 600 °C

**Materials**

- 1.0460
- 1.0619 just for flange type PN 10-40
- 1.0566
- 1.5415
- 1.7335
- 1.7383

Further materials on request.

**Media**

Depending on the material the gate valves are suitable for water, gas, oil and other non aggressive media

**Fields of application**

Chemical industries, power plants, ship building and other

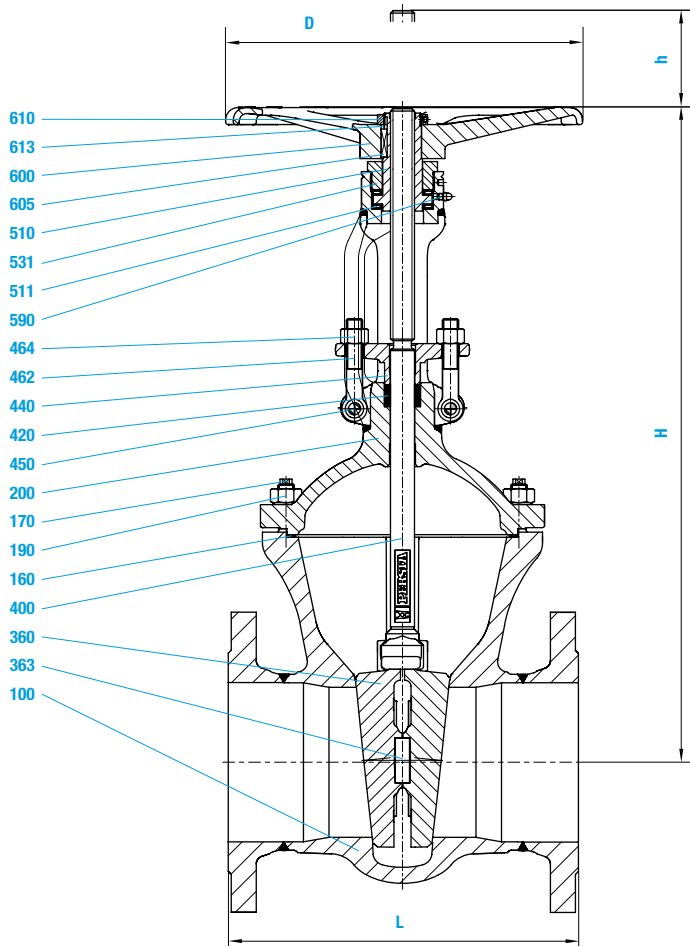
**Design Highlights**

- The main valve body is one-piece die-forged incorporating the bonnet flange and the guide for the shut-off device
- Hard faced seats (valve body and shut-off device). Hardness app. 35-37 HRC
- Bolted bonnet with reduced shaft bolts
- Full bore, except DN 65/50 and DN 125/100
- Non - turning rising stem
- Type GA, turning non-rising stem

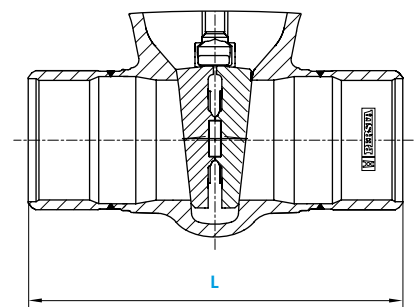
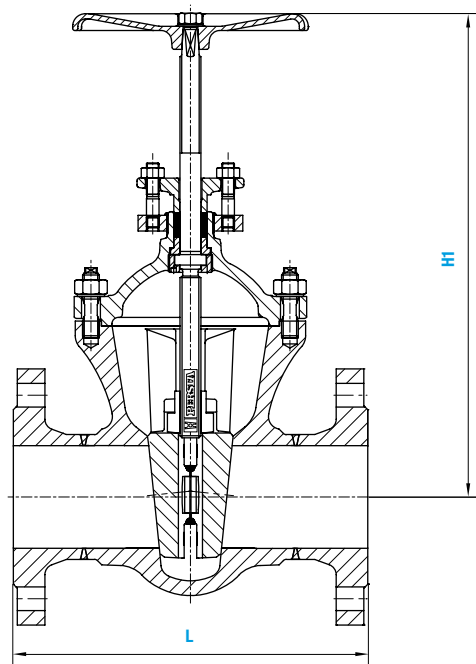
**Benefits**

- Die-forged parts, compared with cast steel parts are generally free from porosity and shrink holes. The special of the valve body minimizes the existence of welding seams
- Extremely resistant to wear
- To improve the stress capability when temperature and pressure fluctuate
- No reduction in seat area
- Minimum wear to the gland packing compared with ground stem surfaces
- Small dimensions

▪ Gate valves ▪ Gate valve ▪ 700 HJ/JJ (GA ▪ PN 10-40) ▪ PN 10-100 ▪ DN 50-150



**700 GA**



■ Gate valves ■ Gate valve ■ 700 HJ/JJ (GA ■ PN 10-40) ■ PN 10-100 ■ DN 50-150

| Materials |                |                         |                        |                        |                        |                        |                        |
|-----------|----------------|-------------------------|------------------------|------------------------|------------------------|------------------------|------------------------|
| Pos.      | Component      | 1.0619 (11)<br>PN 10-40 | 1.0460 (21)            | 1.0566 (25)            | 1.5415 (42)            | 1.7335 (44)            | 1.7383 (45)            |
| 100       | Body           | 1.0619 <sup>1)</sup>    | 1.0460 <sup>1)</sup>   | 1.0566 <sup>1)</sup>   | 1.5415 <sup>2)</sup>   | 1.7335 <sup>2)</sup>   | 1.7383 <sup>2)</sup>   |
| 160       | ▶ Gasket       | Graphite <sup>4)</sup>  | Graphite <sup>4)</sup> | Graphite <sup>4)</sup> | Graphite <sup>4)</sup> | Graphite <sup>4)</sup> | Graphite <sup>4)</sup> |
| 170       | Stud           | 1.7709                  | 1.7709                 | A4-70                  | 1.7709                 | 1.7709                 | 1.7709                 |
| 190       | Hexagonal nut  | 1.7218                  | 1.7218                 | A4-70                  | 1.7218                 | 1.7218                 | 1.7218                 |
| 200       | Bonnet         | 1.0460                  | 1.0460                 | 1.0566                 | 1.5415                 | 1.7335                 | 1.7383                 |
| 360       | ▶ Disc         | 1.0460 <sup>3)</sup>    | 1.0460 <sup>3)</sup>   | 1.0566 <sup>3)</sup>   | 1.5415 <sup>2)</sup>   | 1.7335 <sup>2)</sup>   | 1.7383 <sup>2)</sup>   |
| 363       | Pressure piece | 1.4021                  | 1.4021                 | 1.4021                 | 1.4021                 | 1.4021                 | 1.4021                 |
| 400       | ▶ Stem         | 1.4021                  | 1.4021                 | 1.4571                 | 1.4122                 | 1.4122                 | 1.4122                 |
| 420       | ▶ Packing      | Graphite                | Graphite               | Graphite               | Graphite               | Graphite               | Graphite               |
| 440       | Gland flange   | 1.0460                  | 1.0460                 | 1.4571                 | 1.0460                 | 1.0460                 | 1.0460                 |
| 450       | Grooved pin    | St                      | St                     | 1.4571                 | St                     | St                     | St                     |
| 462       | Eye bolt       | 1.1181                  | 1.1181                 | A4-50                  | 1.1181                 | 1.1181                 | 1.1181                 |
| 464       | Hexagonal nut  | 1.1181                  | 1.1181                 | A4-70                  | 1.1181                 | 1.1181                 | 1.1181                 |
| 510       | ▶ Yoke sleeve  | 1.0718                  | 1.0718                 | 1.0718                 | 1.0718                 | 1.0718                 | 1.0718                 |
| 511       | ▶ Bearing      | WLSt                    | WLSt                   | WLSt                   | WLSt                   | WLSt                   | WLSt                   |
| 531       | Screwing       | 1.0718                  | 1.0718                 | 1.0718                 | 1.0718                 | 1.0718                 | 1.0718                 |
| 590       | Grease nipple  | 5.8                     | 5.8                    | 5.8                    | 5.8                    | 5.8                    | 5.8                    |
| 600       | Handwheel      | 5.3106                  | 5.3106                 | 5.3106                 | 5.3106                 | 5.3106                 | 5.3106                 |
| 605       | Key            | 1.0060                  | 1.0060                 | 1.0060                 | 1.0060                 | 1.0060                 | 1.0060                 |
| 610       | Hexagonal nut  | St                      | St                     | St                     | St                     | St                     | St                     |
| 613       | Screw pin      | 45H                     | 45H                    | 45H                    | 45H                    | 45H                    | 45H                    |

▶ Spare parts

1) Welded on with Cr17  
2) Welded on with Stellite  
3) Welded on with 18/8  
4) DN 150 grooved with graphite layer

**Attention: Ki-Gate-Valve 700 GA only in material 1.0460**

| Dimensions/mm |            |             |            |             |        |            |             |     |             | Weights/kg and Kvs-values |             |          |          |           |             |              |                            |             |          |             |
|---------------|------------|-------------|------------|-------------|--------|------------|-------------|-----|-------------|---------------------------|-------------|----------|----------|-----------|-------------|--------------|----------------------------|-------------|----------|-------------|
| PN<br>DN      |            |             |            |             |        |            | 700 GA      |     | GS-C25N     |                           |             |          | 700 GA   |           |             |              | Kvs<br>(m <sup>3</sup> /h) |             |          |             |
|               | 10-25<br>L | 40-100<br>L | 10-40<br>H | 63-100<br>H | Stroke | 10-40<br>D | 63-100<br>D | H1  | 10-25<br>FL | 40<br>FL                  | 10-25<br>FL | 40<br>FL | 63<br>FL | 100<br>FL | 10-40<br>BW | 63-100<br>BW |                            | 10-25<br>FL | 40<br>FL | 10-40<br>BW |
| 50            | 250        | 250         | 337        | 337         | 63     | 180        | 180         | 280 | 21,5        | 21,5                      | 19,0        | 19,0     | 23,5     | 26,5      | 15,0        | 15,5         | 19,0                       | 19,0        | 15,0     | 258,0       |
| 65 / 50       | 270        | 290         | 337        | 337         | 63     | 180        | 180         | 280 |             |                           | 21,0        | 21,0     | 26,0     | 30,5      | 15,5        | 16,0         | 21,0                       | 21,0        | 28,0     | 258,0       |
| 80            | 280        | 310         | 410        | 410         | 90     | 225        | 225         | 345 | 40,0        | 40,0                      | 35,0        | 35,0     | 40,5     | 45,0      | 28,0        | 31,0         | 35,0                       | 35,0        | 28,0     | 628,0       |
| 100           | 300        | 350         | 455        | 505         | 110    | 280        | 360         | 405 | 57,0        | 61,5                      | 50,0        | 54,0     | 63,0     | 71,0      | 43,0        | 47,0         | 50,0                       | 54,0        | 43,0     | 991,0       |
| 125 / 100     | 325        | 400         | 455        | 505         | 110    | 280        | 360         | 405 |             |                           | 53,5        | 59,0     | 74,0     | 89,0      | 45,0        | 49,0         | 53,0                       | 59,0        | 45,0     | 991,0       |
| 150           | 350        | 450         | 655        | 685         | 165    | 360        | 450         | 525 | 114,0       | 120,0                     | 92,0        | 98,0     | 138,0    | 155,0     | 80,0        | 100,0        | 92,0                       | 98,0        | 80,0     | 2323,0      |