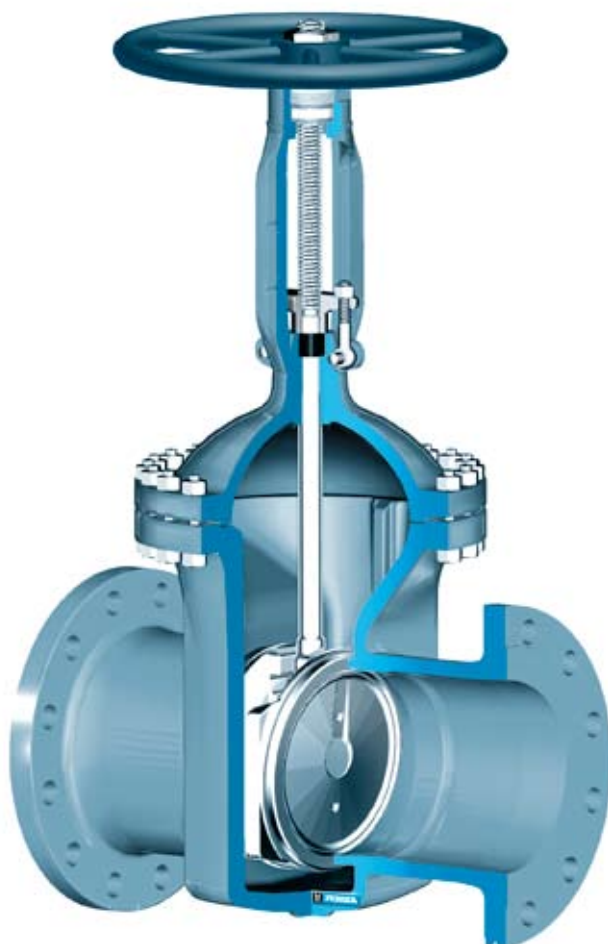


▪ Gate valves ▪ Gate valve ▪ 700 HJ/JJ (GA) ▪ PN 10-40 ▪ DN 200-250



Range of application

Admissible operating pressure [bar] at design temperature [°C] ¹⁾

Material	PN	-60	-10	20	120	150	200	250	300	350	400	450
1.0460	10-16	16	16	16	15	14	13	11	10	8	6	
	25	25	25	25	23,5	22	20	17	16	13	10	
	40	40	40	40	37,5	35	32	28	24	21	10	
1.0566 ²⁾	10-16	16	16	16	15	14	13	11				
	25	25	25	25	24	22	20	17				
	40	40	40	40	38	35	32	28				

1) Operating temperature = design temperature minus temperature surcharge acc. to DIN regulations.

2) At temperatures > 50 °C only applicable for short-time service.

■ **Gate valves** ■ **Gate valve** ■ **700 HJ/JJ (GA)** ■ **PN 10-40** ■ **DN 200-250**

Standard features

- Split disc gate valve / 2 disc-design = Type JJ
- Wedge gate valve / Flexible wedge design = Type HJ
- Die-forged body and bonnet
- Body with full bore
- Outside screw and yoke
- Non-turning rising stem
- Yoke sleeve
- Available with flange and buttweld ends

Option standard features GA

- Wedge gate valve / Flexible wedge design
- Inside screw
- Non-rising turning stem

Pressure and temperature ratings

- Pressure rating up to 40 bar
- Temperature rating up to 450 °C

Materials

- 1.0460
- 1.0566

Further materials on request.

Media

Depending on the material the gate valves are suitable
For water, gas, oil and other non aggressive media

Fields of application

Chemical industries, power plants, ship building and other

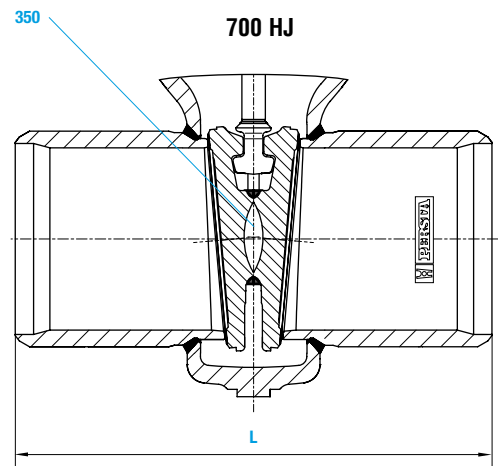
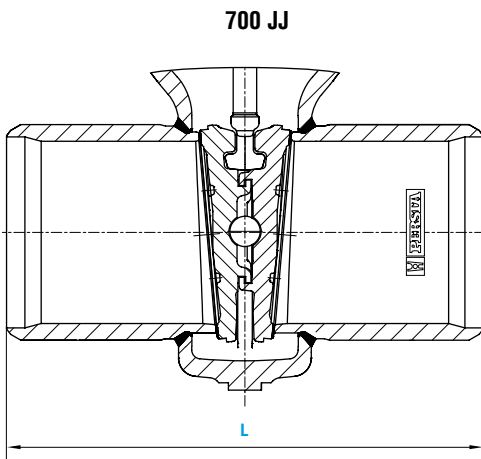
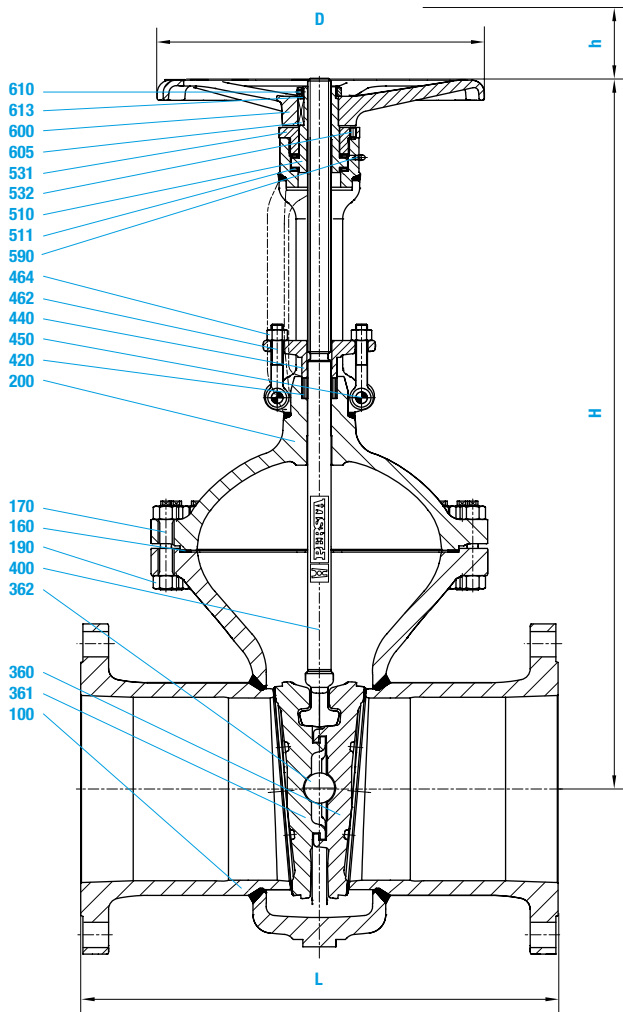
Design Highlights

- Die-forged body and bonnet
- Hard faced seats (valve body and shut-off device)
Hardness app. 35-37 HRC
- Bolted bonnet with reduced shaft bolts
- Full bore
- Non-turning, rising stem
- Type GA, rotating non-rising stem
- Possibility to add an actuator-flange

Benefits

- Free from porosity and shrink holes
- Extremely resistant to wear
- To improve the stress capability when temperature and pressure fluctuate
- No reduction at seat area
- Minimum wear to the gland packing compared with ground stem surfaces
- Small dimensions
- Simple retrofitting of an actuator possible without welding

▪ Gate valves ▪ Gate valve ▪ 700 HJ/JJ (GA) ▪ PN 10-40 ▪ DN 200-250



■ Gate valves ■ Gate valve ■ 700 HJ/JJ (GA) ■ PN 10-40 ■ DN 200-250

Materials			
Pos.	Component	1.0460 (21)	1.0566 (25)
100	Body	1.0460 ³⁾	1.0566 ³⁾
160	▶ Seat ring	Grooved with graphite layer	Grooved with graphite layer
170	Stud	1.1181	A4-70
190	Hexagonal nut	1.1181	A4-70
200	Bonnet	1.0460	1.0566
350	▶ Wedge	1.0460 ⁴⁾	1.0566 ⁴⁾
360 / 361	▶ Disc	1.8507 ⁴⁾	1.0566 ⁴⁾
362	▶ Ball	WLS _t	WLS _t
400	▶ Stem	1.4021 ⁵⁾	1.4571
420	▶ Packing	Graphite	Graphite
440	Gland flange	1.0460	1.4571
450	Pin	St	1.4571
462	Eye bolt	1.1181	A4-50
464	Hexagonal nut	1.1181	A4-70
510	Yoke sleeve	1.0718	1.0718
511	▶ Needle bearing	WLS _t	WLS _t
531	▶ Screwing	1.0718	1.0718
532	Screw pin	45H	45H
590	▶ Grease nipple	5.8	5.8
600	Handwheel	5.3106	5.3106
605	Key	1.0060	1.0060
610	Hexagonal pipe nut	St	St
613	Screw pin	45H	45H
	▶ Spare parts		
	3) Welded on with 18/8		
	4) Welded on with Cr17		
	5) PN 40 DN 250 = 1.4122		
	Further materials on request.		
	Attention: Ki-Gate-Valve 700 GA only in material 1.0460		

Dimensions/mm						
DN	PN 10-25	PN 40	Stroke H	h	PN 10-25	PN 40
	L	L			D	D
200	400	550	810	220	360	450
250	450	650	975	285	450	450
700 GA DN			H1			
200			590			
250			725			

Weights/kg and Kvs-values					
DN	FL PN 10-25	FL PN 40	BW PN 10-25	BW PN 40	Kvs (m ³ /h)
	200	151,5	185	140	
250	285,0	325	245	280	6247
700 GA DN					
200	138,5	170	125	125	4000
250	263,0	303	223	258	6247