

- High pressure swing check valves
- DRI 26
- 640 AB
- PD 25 / PD 40
- DN 65-300



		Range of application																																							
		Admissible operating pressure [bar] at design temperature [°C] ¹⁾																																							
BW-Version	Material	PD	20	50	100	120	150	200	250	300	350	400	410	420	430	440	450	460	470	480	490	500	510	520	530	540	550	560	570	580	590	600	610	620	630	640	650				
1.0460		25	250	250	250	250	250	235	206	184	155	125	119	113	107	102	96	85	71	58																					
1.5415		25	300	300	300	300	300	280	258	221	213	206	205	203	202	200	199	197	196	194	170	132	101	79	64																
1.7335		25	300	300	300	300	300	300	294	272	258	243	240	237	234	231	228	227	225	224	222	202	170	134	109	88	69	57	46												
1.7383		25	300	300	300	300	300	300	300	294	272	258	255	252	249	246	243	240	237	234	224	199	174	152	132	115	100	85	75	65	56	49									
1.6368		25	410	410	410	410	410	410	410	410	410	410	410	410	410	402	360	309	257	205	153	102																			
1.4903		25	425	425	425	425	425	425	425	425	425	425	425	425	425	425	425	425	425	418	383	372	344	316	290	263	238	213	191	169	150	132	115	100	85	75	64				
1.4901		25	425	425	425	425	425	425	425	425	425	425	425	425	425	425	425	425	425	425	423	397	370	345	320	297	275	252	230	208	186	166	147	127	110	95	82				

¹⁾ Operating temperature = design temperature minus temperature surcharge acc. to DIN regulations.

		Range of application																																								
		Admissible operating pressure [bar] at design temperature [°C] ¹⁾																																								
BW-Version	Material	PD	20	50	100	120	150	200	250	300	350	400	410	420	430	440	450	460	470	480	490	500	510	520	530	540	550	560	570	580	590	600	610	620	630	640	650					
1.0460		40	400	400	400	400	400	377	330	295	248	200	190	181	172	162	153	135	113	93																						
1.5415		40	480	480	480	480	480	447	412	353	341	330	327	325	322	320	318	315	313	311	271	212	161	127	101																	
1.7335		40	481	481	481	481	481	471	436	412	388	384	379	374	370	365	363	360	358	355	322	271	215	175	141	110	90	73														
1.7383		40	480	480	480	480	480	480	471	436	412	407	403	398	393	388	384	379	374	358	318	278	242	212	183	160	136	120	103	89	79											
1.6368		40	657	657	657	657	657	657	657	657	657	657	657	657	657	643	577	495	412	328	245	163																				
1.4903		40	680	680	680	680	680	680	680	680	680	680	680	680	680	680	680	680	680	669	612	596	551	506	464	421	381	341	306	271	240	212	183	160	136	120	103					
1.4901		40	680	680	680	680	680	680	680	680	680	680	680	680	680	680	680	680	680	680	677	635	592	552	512	475	440	404	369	334	298	265	235	204	176	152	131					

¹⁾ Operating temperature = design temperature minus temperature surcharge acc. to DIN regulations.

▪ **High pressure swing check valves** ▪ DRI 26 ▪ 640 AB ▪ PD 25 / PD 40 ▪ DN 65-300

Standard features

- Valve body made of forged steel
- Swing check valve with internal hinge pin
- Lever rests in separate support ring
- Pressure sealing bonnet acc. VGB-guidelines

Pressure and temperature ratings

- Pressure rating up to 680 bar
- Temperature rating up to 650 °C

Materials

- 1.0460
- 1.4901
- 1.4903
- 1.5415
- 1.6368
- 1.7335
- 1.7383

Further materials on request.

Media

Depending on the material swing check valves are suitable for water, gas, oil and other non aggressive media

Fields of application

Chemical industries, power plants, ship building and other

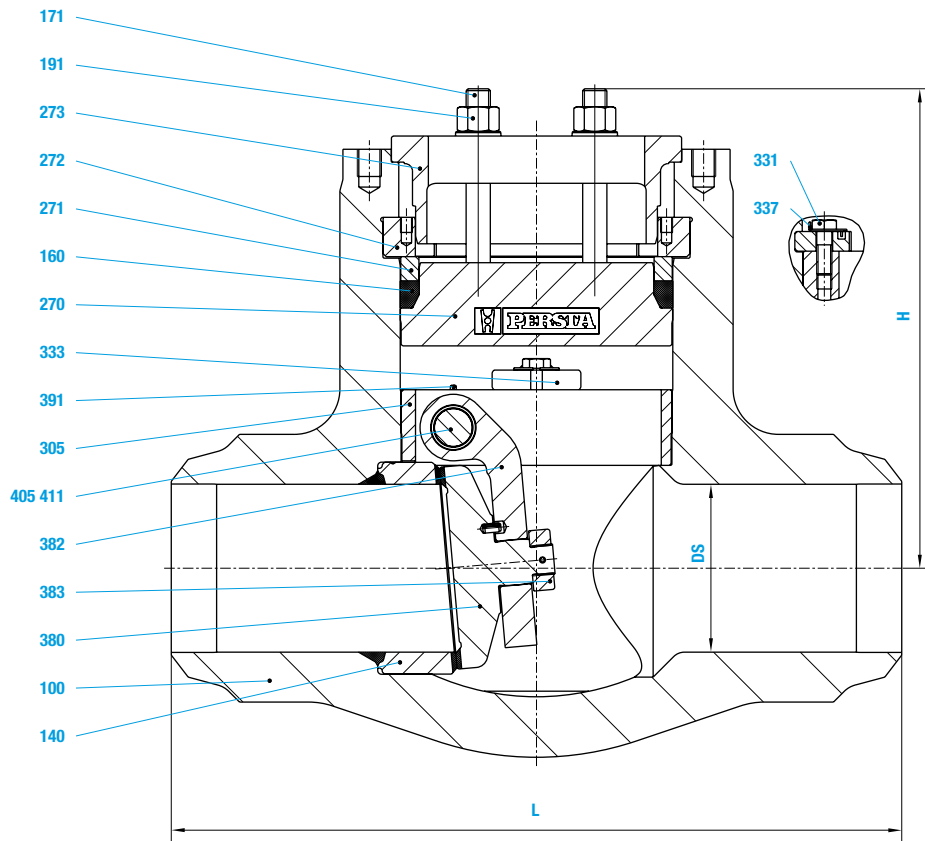
Design Highlights

- Valve body made of forged steel
- Tubular forged body
- Seats faced with stellite
- Lever rests in a separate support ring
- Shut-off disc with curved journal
- Pressure sealing bonnet
- Cover can be used for dismantling of the cover fastener

Benefits

- Free from porosity and shrink holes
- No pressure retaining weldseams
- Extremely resistant to wear
- The setting of the disc can be examined before installing the bonnet cover
- Optimum adjustment of the disc to the body seat
- Best possible sealing function
- No special tools are necessary for dismantling the disc fastener

▪ High pressure swing check valves ▪ DRI 26 ▪ 640 AB ▪ PD 25 / PD 40 ▪ DN 65-300



▪ High pressure swing check valves ▪ DRI 26 ▪ 640 AB ▪ PD 25 / PD 40 ▪ DN 65-300

Materials								
Pos.	Component	1.0460 (21)	1.5415 (42)	1.7335 (44)	1.7383 (45)	1.6368 (46)	1.4903 (63)	1.4901 (66)
100	Body	1.0460	1.5415	1.7335	1.7383	1.6368	1.4903	1.4901
140	Seat ring	1.0460	1.5415	1.7335	1.7383	1.6368	1.4903	1.4901
	welded on with	Stellite	Stellite	Stellite	Stellite	Stellite	Stellite	Stellite
160	▶ Gasket	Graphite	Graphite	Graphite	Graphite	Graphite	Graphite	Graphite
171	Stud	A 193 B7	A 193 B7	A 193 B7	A 193 B7	A 193 B7	A 193 B7	A 193 B7
191	Hexagonal nut	A 194 2H	A 194 2H	A 194 2H	A 194 2H	A 194 2H	A 194 2H	A 194 2H
270	Cover	1.7383	1.7383	1.7383	1.7383	1.4903	1.4903	1.4901
271	Ring	1.7383	1.7383	1.7383	1.7383	1.4903	1.4903	1.4901
272	Segmentring	1.7383	1.7383	1.7383	1.7383	1.4903	1.4903	1.4901
273	Cover	1.0460	1.0460	1.0460	1.0460	1.0460	1.0460	1.0460
305	Supportring	1.7383	1.7383	1.7383	1.7383	1.7383	1.4903	1.4903
331	Hexagonal screw	A4	A4	A4	A4	A4	A4	A4
333	▶ Flange	1.4903	1.4903	1.4903	1.4903	1.4903	1.4903	1.4903
337	▶ Retaining ring	1.4301	1.4301	1.4301	1.4301	1.4301	1.4301	1.4301
380	▶ Disc	1.7383	1.7383	1.7383	1.7383	1.4903	1.4903	1.4901
	welded on with	Stellite	Stellite	Stellite	Stellite	Stellite	Stellite	Stellite
382	Hinge	1.7383	1.7383	1.7383	1.7383	1.7383	1.4903	1.4903
383	▶ Washer	1.4923	1.4923	1.4923	1.4923	1.4923	1.4923	1.4923
391	▶ Tension pin	1.4310	1.4310	1.4310	1.4310	1.4310	1.4310	1.4310
405	▶ Hinge pin	1.4923	1.4923	1.4923	1.4923	1.4923	1.4923	1.4923
411	▶ Guide bushing	5.3106	5.3106	5.3106	5.3106	5.3106	5.3106	5.3106
	▶ Spare parts							

Dimensions/mm and Weights/kg				
DRI 26.25 DN	DS	L	H	kg
80	70	305	230	49
100	90	406	257	83
125	111	483	317	137
150	136	559	357	265
200	178	711	445	401
250	222	864	530	744
300	263	991	603	1182

Dimensions/mm and Weights/kg				
DRI 26.40 DN	DS	L	H	kg
65	50	330	231	59
80	57	368	246	91
100	72	457	278	150
125	90	533	337	288
150	111	609	431	445
200	146	762	479	796
250	185	1270	587	1542