

▪ Gate valves ▪ Gate valve ▪ 700 HJ/JJ ▪ PN 63-100 ▪ DN 200-300



Range of application

Admissible operating pressure [bar] at design temperature [°C] ¹⁾

Material	PN	-60	-10	20	120	150	200	250	300	350	400	450	475	480	500	510	520	530	540	550	560	570	580	590	600
1.0460	63	63	63	63	58	50	45	40	36	32	21	14	12												
	100	100	100	100	91	80	70	60	56	50	34	21	19												
1.5415	63	63	63	63	63	63	63	56	50	47	45	37	35	29	22	16	14								
	100	100	100	100	100	100	100	87	78	74	70	57	54	45	34	27	22								
1.7335	63	63	63	63	63	63	63	61	58	56	53	51	47	40	32	25	20	16	13	10					
	100	100	100	100	100	100	100	95	91	87	82	80	74	62	49	38	31	24	19	16					
1.7383	63	63	63	63	63	63	63	62	62	60	55	53	47	40	35	28	25	22	18	15	12	11	9		
	100	100	100	100	100	100	100	98	96	94	85	82	74	62	53	43	39	33	27	23	19	17	15		

1) Operating temperature = design temperature minus temperature surcharge acc. to DIN regulations.

▪ **Gate valves** ▪ Gate valve ▪ 700 HJ/JJ ▪ PN 63-100 ▪ DN 200-300

Standard features

- Split disc gate valve / 2 disc – design type = Type JJ
- Wedge gate valve / flexible wedge-design Type HJ
- Die-forged body and bonnet
- Full bore
- Outside screw and yoke
- Non-turning, rising stem
- Yoke sleeve
- Available with flange and buttweld ends

Pressure and temperature ratings

- Pressure rating up to 100 bar
- Temperature rating up to 600 °C

Materials

- 1.0460
- 1.5415
- 1.7335
- 1.7383

For low temperature service available as casting.
Other materials on request.

Media

Depending on the material the gate valves are suitable for water, gas, oil and other non aggressive media

Fields of application

Chemical industries, power plants, ship building and other

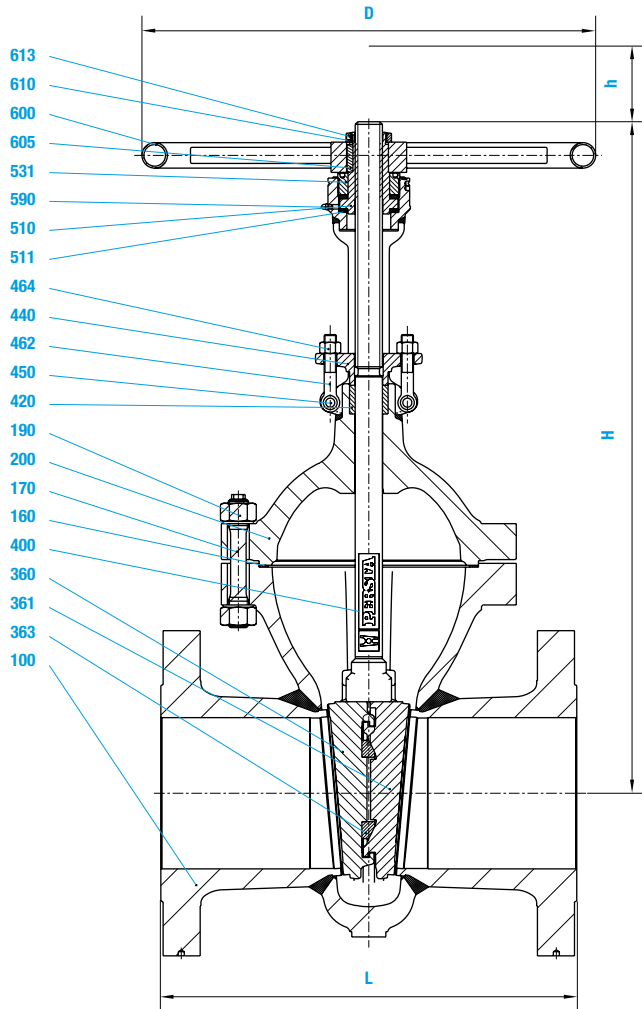
Design Highlights

- Die-forged body and bonnet
- Hard faced seats (valve body and shut-off device)
- Gasket located in gap
- Full bore
- Non-rising stem

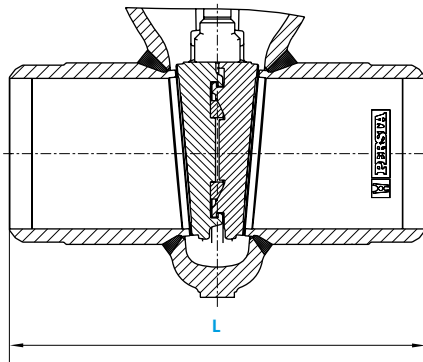
Benefits

- Free from porosity and shrink holes
- Extremely resistant to wear
- Blow out protection
- No reduction in seat area
- Minimum wear to the gland packing compared with ground stem surfaces

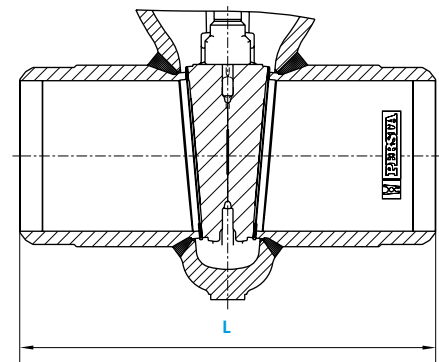
▪ Gate valves ▪ Gate valve ▪ 700 HJ/JJ ▪ PN 63-100 ▪ DN 200-300



700 JJ



700 HJ



■ Gate valves ■ Gate valve ■ 700 HJ/JJ ■ PN 63-100 ■ DN 200-300

Materials					
Pos.	Component	1.0460 (21)	1.5415 (42)	1.7335 (44)	1.7383 (45)
100	Body	1.0460	1.7383/1.5415	1.7383/1.7335	1.7383
160	▶ Seat ring	Grooved with graphite layer	Grooved with graphite layer	Grooved with graphite layer	Grooved with graphite layer
170	Stud	1.7709	1.7709	1.7709	1.7709
190	Hexagonal nut	1.7218	1.7218	1.7218	1.7218
200	Bonnet	1.7383	1.7383	1.7383	1.7383
360 / 361	▶ Disc	1.7383 ⁴⁾	1.7383	1.7383 ¹³⁾	1.8507 ³⁾
363	▶ Pressure piece	1.4122	1.4122	1.4122	1.4122
400	▶ Stem	1.4021	1.4122	1.4122	1.4122
420	▶ Packing	Graphite	Graphite	Graphite	Graphite
440	Gland flange	1.0460	1.0460	1.0460	1.0460
450	Pin	St ⁶⁾	St ⁶⁾	St ⁶⁾	St ⁶⁾
462	Eye bolt	1.1181 ⁵⁾	1.1181 ⁵⁾	1.1181 ⁵⁾	1.1181 ⁵⁾
464	Hexagonal nut	1.1181 ⁹⁾	1.1181 ⁹⁾	1.1181 ⁹⁾	1.1181 ⁹⁾
510	▶ Yoke sleeve	1.0718 ⁸⁾	1.0718 ⁸⁾	1.0718 ⁸⁾	1.0718 ⁸⁾
511	▶ Roller bearing	WLS1 ⁷⁾	WLS1 ⁷⁾	WLS1 ⁷⁾	WLS1 ⁷⁾
531	Screwing	1.0718	1.0718	1.0718	1.0718
590	Grease nipple	5.8	5.8	5.8	5.8
600	Handwheel	St	St	St	St
605	Key	1.0060	1.0060	1.0060	1.0060
610	Hexagonal nut	St	St	St	St
613	Screw pin	45H	45H	45H	45H
▶ Spare parts					
1) ≥ DN 250 = 1.7383 welded on with Stellite					
2) Welded on with Cr17					
3) Welded on with Stellite					
4) ≥ DN 250 = 1.0460 welded on with Cr17					
5) ≥ DN 250 = 1.7709					
6) ≥ DN 250 = 1.7218					
7) ≥ DN 250 = Roller bearing					
8) ≥ DN 250 = CW 713 R					
9) ≥ DN 250 = 1.7218					

Dimensions/mm				
DN	PN 63-100		Stroke h	D
	L	H		
200	550	890	210	600
250	650	1110	265	720
300	750	1310	313	900

Weights/kg and Kvs-values				
DN	FL PN 63	FL PN 100	BW PN 63-100	Kvs (m ³ /h)
	200	270	285	
250	480	538	430	6247
300	690	750	560	8997