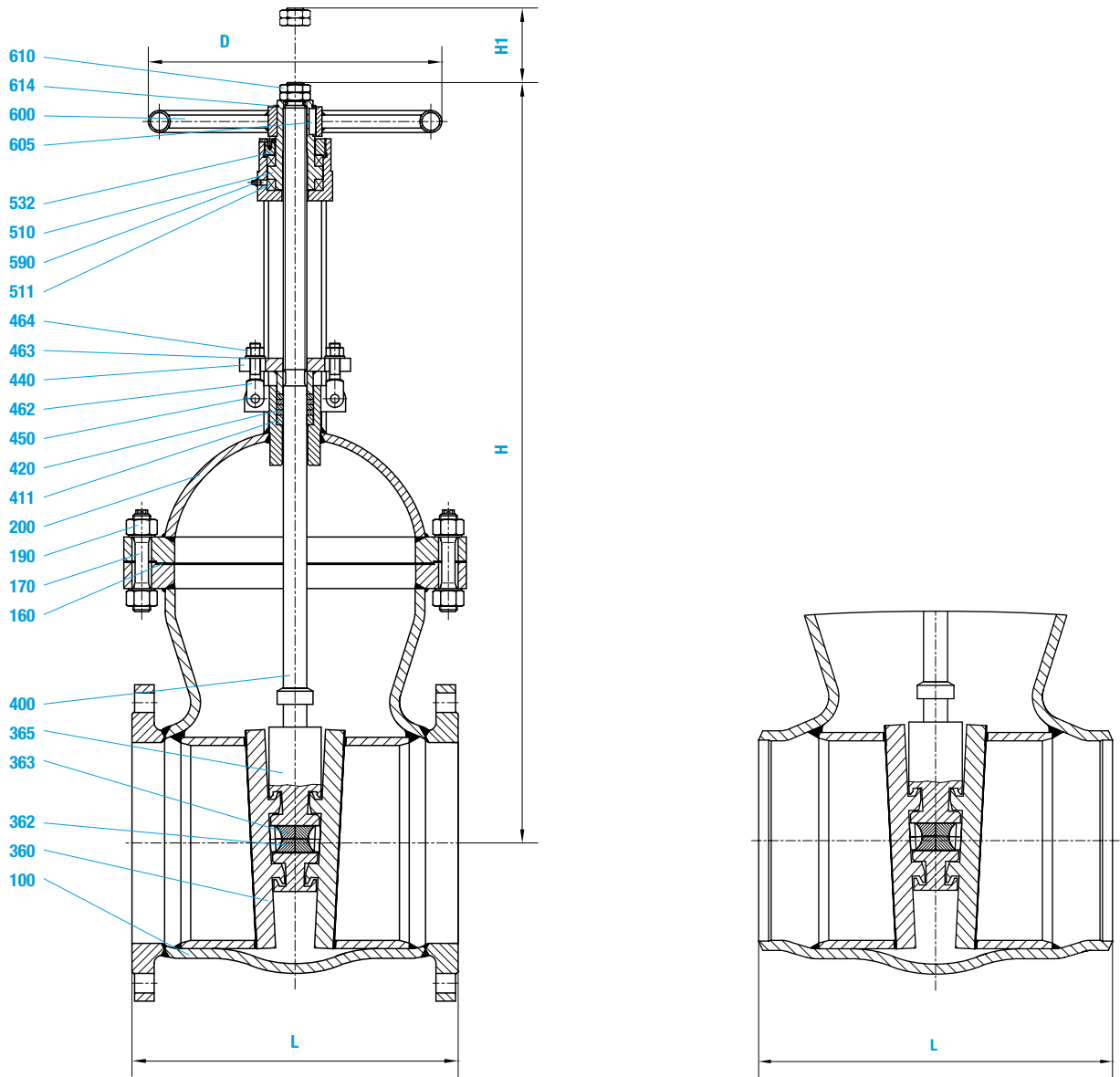


▪ Gate valves ▪ VALTRA Gate valve ▪ 700 JJ ▪ PN 10-25 ▪ DN 300-1000



Range of application

Admissible operating pressure [bar] at design temperature [°C] ¹⁾

Material	PN	-10	20	100	120	200	250	300	350	400
P265GH	10	10	10	10	10	9	8	7	6	5
	16	16	16	16	14	13	11	10	8	
	25	25	25	25	22	20	17	16	13	

1) Operating temperature = design temperature minus temperature surcharge acc. to DIN regulations.

■ Gate valves ■ VALTRA Gate valve ■ 700 JJ ■ PN 10-25 ■ DN 300-1000

Materials		
Pos.	Component	P265GH (22)
100	Body welded on with	P265GH
160	▶ Gasket	X20CrMo171
170	Tension screw	Sigralflex
190	Hexagonal nut	1.7158
200	Bonnet	1.7158
360	▶ Disc welded on with	P265GH
362	▶ Ball	X8CrTi18
363	▶ Pressure piece	1.4021
365	▶ Double disc guide	1.4021
400	▶ Stem	P265GH
411	Guide bushing	1.4021
420	▶ Packing	GG 25
440	Gland flange	Graphite
450	Grooved pin	P265GH
462	Gland bolt	1.1181
463	Washer	1.1181
464	Hexagonal nut	St
510	▶ Screw pin	1.0501
511	▶ Roller bearing	0.7040
532	Countersink screw	WLSt
590	Grease nipple	8.8
600	Handwheel	5.8
605	Key	St
610	Hexagonal nut	1.0050
614	Retaining ring	5.6
	▶ Spare parts	Spring Steel

Further materials on request.

Dimensions/mm					
DN	PN 10-25 L	PN 10-25 H	PN 10-16 H1	PN 25 H1	PN 10-25 D
300	500	1165	345	345	450
350	550	1260	375	375	500
400	600	1410	420	420	600
500	700	1715	545	545	800
600	800	2035	635	655	800
700	900	2260	790		800
800	1000*	2690	1000*		800
900					
1000					

*Attention: BW-overall length, DN 800, PN 25, 1250 mm
Flange-overall length, DN 800, PN 25, 1500 mm

Weights/kg and Kvs-values							
DN	PN 10 FL	PN 16 FL	PN 25 FL	PN 10 BW	PN 16 BW	PN 25 BW	Kvs (m3/h)
300	320	330	360	295	295	315	9230
350	390	405	445	360	360	380	11237
400	540	560	610	500	500	525	14677
500	815	860	945	765	765	850	23561
600	1210	1270	1370	1170	1170	1285	33929
700	1690	1715	1980	1630	1630	1775	46181
800	2410	2440	3480	2330	2330	2500	60318
900							
1000							