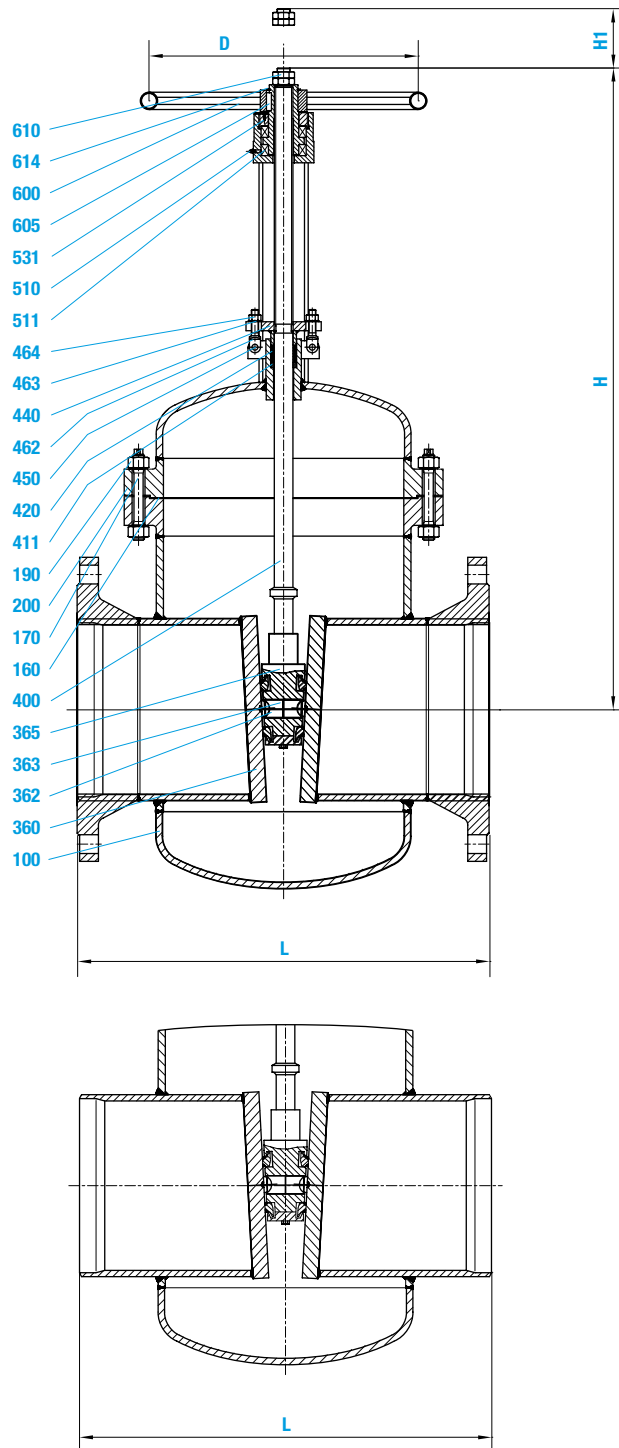


▪ Gate valves ▪ VALTRA Gate valve ▪ 700 JJ ▪ PN 40 ▪ DN 300-700



Range of application

Admissible operating pressure [bar] at design temperature [°C] ¹⁾

Material	PN	-10	20	100	120	200	250	300	350	400
P265GH	40	40	40	40	40	35	32	28	24	21

1) Operating temperature = design temperature minus temperature surcharge acc. to DIN regulations.

■ Gate valves ■ VALTRA Gate valve ■ 700 JJ ■ PN 40 ■ DN 300-700

Materials		
Pos.	Component	P265GH (22)
100	Body welded on with	P265GH
160	▶ Seat ring	X20CrMo171
170	Tension screw	Sigralflex
190	Hexagonal nut	1.7158
200	Bonnet	P265GH
360	▶ Disc welded on with	P265GH
362	▶ Ball	X8CrTi18
363	▶ Pressure piece	1.4021
365	▶ Double disc guide	1.4021
400	▶ Stem	P265GH
411	Guide bushing	1.4021
420	▶ Packing	GG 25
440	Gland flange	Graphite
450	Grooved pin	P265GH
462	Gland bolt	1.1181
463	Washer	1.1181
464	Hexagonal nut	St
510	▶ Yoke sleeve	1.0501
511	▶ Bearing	0.7040
531	Yoke nut	WLS
600	Handwheel	S355J2G3
605	Key	St
610	Hexagonal nut	1.0050
614	Retaining ring	5.6
	▶ Spare parts	Spring Steel
	Further materials on request.	

Dimensions/mm				
DN	L	H	Stroke	D
300	750	1260	345	500
350	850	1295	375	600
400	950	1575	445	800
500	1150	1795	525	800
600	1350	2155	640	800
700	1550	2595	770	800
800	1750			

Weights/kg and Kvs-values			
DN	FL	BW	Kvs (m ³ /h)
300	440	370	9230
350	610	460	11237
400	890	710	14677
500	1270	1050	23561
600	2310	1980	33929
700	3210	2960	46181
800			